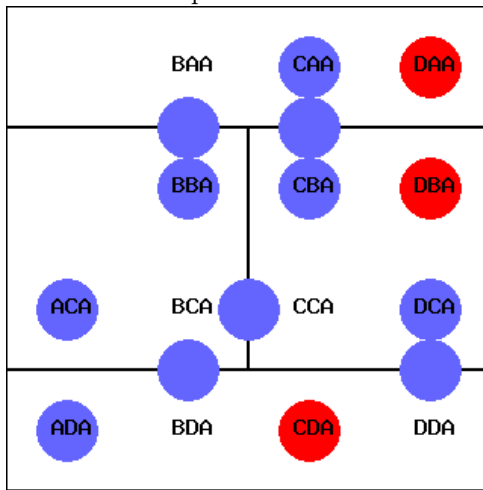
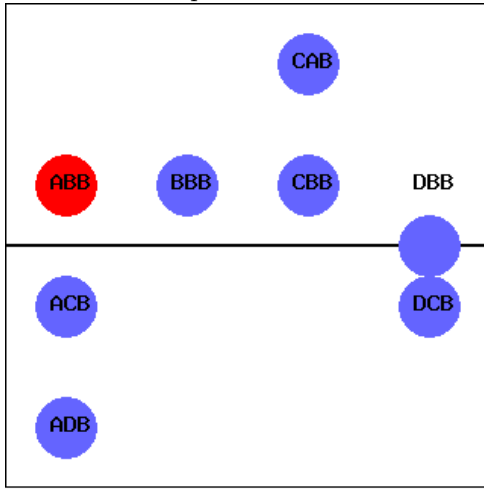


This is a map of the level 1.



This is a map of the level 2.



1 You are standing in front of the door at CBA - You have the keys orange blue . None of your keys opens the north door. You can open the hatch with the orange key and ascend to the upper level [652](#) You can look around [473](#)

2 You are standing in front of the door at ADB - You have the keys rust olive . None of your keys opens the hatch in the floor. You can look around [724](#)

3 You are standing in front of the door at BBA - You have the keys brown white . You can open the door with the white key and go north [863](#) None of your keys opens the hatch in the ceiling. You can look around [81](#)

4 You are standing next to the dwarf at ABB. You have the keys olive coral . Hello, my name is Rukhon Copperbrewer . The dwarf says: "I would give you the keys violet blue for your keys." If you accept it go to [840](#) . You can look around [9](#)

5 You are standing in front of the door at CBB - You have the keys olive coral . None of your keys opens the hatch in the floor. You can look around [9](#)

6 You are standing in front of the door at CBB - You have the keys rust orange . You can open the hatch with the orange key and descend to the lower level [1153](#) You can look around [209](#)

7 You are standing in front of the door at DCA - You have the keys olive coral . None of your keys opens the south door. None of your keys opens the hatch in the ceiling. You can look around [1156](#)

8 You are standing in front of the door at CBB - You have the keys black orange . You can open the hatch with the orange key and descend to the lower level [651](#) You can look around [152](#)

9 You are standing in a small room. Apart from you there is a dwarf at ABB here. There is a door DBB in the southern wall. There are 3 hatches in the floor. BBB CAB CBB . You have the keys olive coral . What do you want to do? Talk with the dwarf - go to [4](#) Go to the field BBB - [1181](#) Go to the field CAB - [668](#) Go to the field CBB - [5](#) Go to the field DBB - [151](#)

10 You are standing in front of the door at CBB - You have the keys brown peach . None of your keys opens the hatch in the floor. You can look around [433](#)

11 You are standing in front of the door at DBB - You have the keys violet peach . None of your keys opens the south door. You can look around [1177](#)

12 You are standing in a small room. Apart from you there is a dwarf at ACA here. There is a door BBA in the northern wall. There is a door BCA in the eastern wall. There is a door BCA in the southern wall. There are 2 hatches in the ceiling. ACA BBA . You have the keys white peach . What do you want to do? Talk with the dwarf - go to [1121](#) Go to the field ACA - [55](#) Go to the field BBA - [276](#) Go to the field BCA - [954](#)

13 You are standing in front of the door at BBA - You have the keys black peach . None of your keys opens the north door. None of your keys opens the hatch in the ceiling. You can look around [699](#)

14 You are standing next to the dwarf at DAA. You have the keys brown rust . Hello, my name is Saduc Ironbrow . The dwarf says: "I would give you the keys white gray for your keys." If you accept it go to [208](#) . The dwarf says: "I would give you the keys brown gray for your keys." If you accept it go to [831](#) . The dwarf says: "I would give you the keys violet brown for your keys." If you accept it go to [1170](#) . The dwarf says: "I would give you the keys cream peach for your keys." If you accept it go to [968](#) . The dwarf says: "I would give you the keys brown blue for your keys." If you accept it go to [365](#) . The dwarf says: "I would give you the keys violet peach for your keys." If you accept it go to [790](#) . The dwarf says: "I would give you the keys peach rust for your keys." If you accept it go to [770](#) . The dwarf says: "I would give you the brown key for your keys." If you accept it go to [917](#) . The dwarf says: "I would give you the keys brown white for your keys." If you accept it go to [171](#) . You can look around [988](#)

15 You are standing in front of the door at BBA - You have the keys peach rust . None of your keys opens the north door. None of your keys opens the hatch in the ceiling. You can look around [970](#)

16 You are standing next to the dwarf at ABB. You have the keys gray blue . Hello, my name is Rukhon Copperbrewer . The dwarf says: "I would give you the blue key for your keys." If you accept it go to [420](#) . You can look around [187](#)

17 You are standing in front of the door at CCA - You have the keys white gray . None of your keys opens the west door. You can look around [1028](#)

18 You are standing in a small room. Apart from you there is a dwarf at ACB here. There is a door DCB in the northern wall. There are 3 hatches in the floor. ACB ADB DCB . You have the keys cream brown . What do you want to do? Talk with the dwarf - go to [687](#) Go to the field ACB - [702](#) Go to the field ADB - [105](#) Go to the field DCB - [297](#)

19 You are standing next to the dwarf at ABB. You have the keys rust olive . Hello, my name is Rukhon Copperbrewer . The dwarf does not accept any exchange. You can look around [923](#)

20 You are standing in front of the door at BAA - You have the keys cream peach . None of your keys opens the south door. You can look around [1042](#)

21 You are standing next to the dwarf at DBA. You have the keys violet orange . Hello, my name is Gromdec Barrelblade . The dwarf says: "I would give you the keys brown coral for your keys." If you accept it go to [469](#) . The dwarf says: "I would give you the keys rust coral for your keys." If you accept it go to [182](#) . You can look around [625](#)

22 You are standing next to the dwarf at ABB. You have the keys brown blue . Hello, my name is Rukhon Copperbrewer . The dwarf does not accept any exchange. You can look around [268](#)

23 You are standing in front of the door at CCA - You have the violet key. None of your keys opens the west door. You can look around [89](#)

24 You are standing in front of the door at DCB - You have the keys cream orange . None

of your keys opens the north door. None of your keys opens the hatch in the floor. You can look around [423](#)

25 You are standing in front of the door at DDA - You have the keys cream coral . None of your keys opens the north door. You can look around [163](#)

26 You are standing in front of the door at BDA - You have the cream key. None of your keys opens the north door. You can look around [885](#)

27 You are standing in a corridor leading from east to west.Apart from you there is a dwarf at CDA here.There are 2 door in the northern wall.BDA DDA . There is a hatch ADA in the ceiling. You have the keys cream olive . What do you want to do? Talk with the dwarf - go to [603](#) Go to the field ADA - [1126](#) Go to the field BDA - [618](#) Go to the field DDA - [436](#)

28 You are standing in front of the door at CBB - You have the keys peach orange . You can open the hatch with the orange key and descend to the lower level [1148](#) You can look around [1016](#)

29 You are standing in front of the door at CBB - You have the keys cream peach . None of your keys opens the hatch in the floor. You can look around [1010](#)

30 You are standing in a small room.Apart from you there is a dwarf at ACA here.There is a door BBA in the northern wall.There is a door BCA in the eastern wall.There is a door BCA in the southern wall.There are 2 hatches in the ceiling.ACA BBA . You have the keys black white . What do you want to do? Talk with the dwarf - go to [1084](#) Go to the field ACA - [1044](#) Go to the field BBA - [546](#) Go to the field BCA - [631](#)

31 You are standing in front of the door at CAB - You have the keys white olive . None of your keys opens the hatch in the floor. You can look around [283](#)

32 You are standing in a corridor leading from east to west.Apart from you there is a dwarf at CDA here.There are 2 door in the northern wall.BDA DDA . There is a hatch ADA in the ceiling. You have the keys cream white . What do you want to do? Talk with the dwarf - go to [824](#) Go to the field ADA - [898](#) Go to the field BDA - [896](#) Go to the field DDA - [237](#)

33 You are standing in a corridor leading from east to west.Apart from you there is a dwarf at CDA here.There are 2 door in the northern wall.BDA DDA . There is a hatch ADA in the ceiling. You have the keys violet white . What do you want to do? Talk with the dwarf - go to [429](#) Go to the field ADA - [104](#) Go to the field BDA - [258](#) Go to the field DDA - [888](#)

34 You are standing in front of the door at CBA - You have the keys white gray . None of your keys opens the north door. None of your keys opens the hatch in the ceiling. You can look around [1028](#)

35 You are standing next to the dwarf at DBA. You have the keys cream gray . Hello, my name is Gromdec Barrelblade . The dwarf says: "I would give you the keys violet rust for your keys." If you accept it go to [945](#) . You can look around [190](#)

36 You are standing next to the dwarf at DAA. You have the keys white rust . Hello, my name is Saduc Ironbrow . The dwarf says: "I would give you the keys white orange for your

keys." If you accept it go to [479](#) . The dwarf says: "I would give you the peach key for your keys." If you accept it go to [396](#) . The dwarf says: "I would give you the keys peach coral for your keys." If you accept it go to [360](#) . The dwarf says: "I would give you the keys cream white for your keys." If you accept it go to [914](#) . You can look around [746](#)

37 You are standing in front of the door at ACA - You have the keys brown coral . None of your keys opens the hatch in the ceiling. You can look around [587](#)

38 You are standing next to the dwarf at DAA. You have the keys white olive . Hello, my name is Saduc Ironbrow . The dwarf does not accept any exchange. You can look around [363](#)

39 You are standing in front of the door at ACA - You have the keys violet black . None of your keys opens the hatch in the ceiling. You can look around [220](#)

40 You are standing in front of the door at DCA - You have the keys gray orange . None of your keys opens the south door. You can open the hatch with the gray key and ascend to the upper level [985](#) You can look around [526](#)

41 You are standing in a small room. Apart from you there is a dwarf at ACA here. There is a door BBA in the northern wall. There is a door BCA in the eastern wall. There is a door BCA in the southern wall. There are 2 hatches in the ceiling. ACA BBA . You have the keys rust blue . What do you want to do? Talk with the dwarf - go to [862](#) Go to the field ACA - [497](#) Go to the field BBA - [834](#) Go to the field BCA - [986](#)

42 You are standing in front of the door at CBB - You have the keys olive blue . None of your keys opens the hatch in the floor. You can look around [317](#)

43 You are standing next to the dwarf at DBA. You have the keys white gray . Hello, my name is Gromdec Barrelblade . The dwarf says: "I would give you the keys olive coral for your keys." If you accept it go to [904](#) . You can look around [1028](#)

44 You are standing next to the dwarf at ACA. You have the keys olive coral . Hello, my name is Yubrumir Merrygut . The dwarf does not accept any exchange. You can look around [338](#)

45 You are standing in front of the door at BCA - You have the keys white gray . None of your keys opens the east door. None of your keys opens the south door. You can look around [373](#)

46 You are standing next to the dwarf at ACB. You have the keys peach rust . Hello, my name is Destrumri Beastbeard . The dwarf says: "I would give you the keys cream brown for your keys." If you accept it go to [687](#) . The dwarf says: "I would give you the keys olive coral for your keys." If you accept it go to [591](#) . The dwarf says: "I would give you the keys rust orange for your keys." If you accept it go to [119](#) . The dwarf says: "I would give you the cream key for your keys." If you accept it go to [873](#) . The dwarf says: "I would give you the keys black rust for your keys." If you accept it go to [780](#) . You can look around [646](#)

47 You are standing in front of the door at ACB - You have the keys cream violet . None of your keys opens the hatch in the floor. You can look around [122](#)

48 You are standing in front of the door at CBB - You have the keys gray olive . None of your keys opens the hatch in the floor. You can look around [727](#)

49 You are standing in front of the door at DDA - You have the keys violet coral . You can open the door with the violet key and go north [596](#) You can look around [323](#)

50 You are standing in front of the door at DCB - You have the olive key. You can open the door with the olive key and go north [1131](#) None of your keys opens the hatch in the floor. You can look around [311](#)

51 You are standing next to the dwarf at ACB. You have the olive key. Hello, my name is Destrurnri Beastbeard . The dwarf does not accept any exchange. You can look around [311](#)

52 You are standing in front of the door at CAB - You have the keys cream blue . None of your keys opens the hatch in the floor. You can look around [1248](#)

53 You are standing in a corridor leading from east to west. Apart from you there is a dwarf at CDA here. There are 2 doors in the northern wall. BDA DDA . There is a hatch ADA in the ceiling. You have the keys violet brown . What do you want to do? Talk with the dwarf - go to [735](#) Go to the field ADA - [362](#) Go to the field BDA - [361](#) Go to the field DDA - [1053](#)

54 You are standing in front of the door at DCA - You have the keys cream gray . None of your keys opens the south door. You can open the hatch with the gray key and ascend to the upper level [408](#) You can look around [190](#)

55 You are standing in front of the door at ACA - You have the keys white peach . None of your keys opens the hatch in the ceiling. You can look around [12](#)

56 You are standing in front of the door at BCA - You have the keys violet black . None of your keys opens the east door. You can open the door with the black key and go south [193](#) You can look around [220](#)

57 You are standing in a small room. Apart from you there is a dwarf at DBA here. There is a door CBA in the northern wall. There is a door DCA in the southern wall. There is a door CCA in the western wall. There are 2 hatches in the ceiling. CBA DCA . You have the keys black coral . What do you want to do? Talk with the dwarf - go to [1201](#) Go to the field CBA - [417](#) Go to the field CCA - [977](#) Go to the field DCA - [667](#)

58 You are standing in front of the door at CCA - You have the coral key. You can open the door with the coral key and go west [100](#) You can look around [622](#)

59 You are standing in front of the door at DDA - You have the violet key. You can open the door with the violet key and go north [370](#) You can look around [927](#)

60 You are standing in front of the door at BCA - You have the black key. None of your keys opens the east door. You can open the door with the black key and go south [584](#) You can look around [1117](#)

61 You are standing next to the dwarf at ACA. You have the keys olive blue . Hello, my name is Yubrumir Merrygut . The dwarf says: "I would give you the keys rust olive for your keys." If you accept it go to [153](#) . The dwarf says: "I would give you the black key for your keys." If you accept it go to [194](#) . The dwarf says: "I would give you the keys rust blue for your keys." If you accept it go to [862](#) . You can look around [901](#)

62 You are standing in front of the door at ACA - You have the keys black gray . None of your keys opens the hatch in the ceiling. You can look around [313](#)

63 You are standing in a small room. Apart from you there is a dwarf at ABB here. There is a door DBB in the southern wall. There are 3 hatches in the floor. BBB CAB CBB . You have the keys olive orange . What do you want to do? Talk with the dwarf - go to [944](#) Go to the field BBB - [389](#) Go to the field CAB - [177](#) Go to the field CBB - [649](#) Go to the field DBB - [355](#)

64 You are standing in front of the door at BBB - You have the keys rust blue . You can open the hatch with the blue key and descend to the lower level [834](#) You can look around [399](#)

65 You are standing in a small room. Apart from you there is a dwarf at ACA here. There is a door BBA in the northern wall. There is a door BCA in the eastern wall. There is a door BCA in the southern wall. There are 2 hatches in the ceiling. ACA BBA . You have the coral key. What do you want to do? Talk with the dwarf - go to [627](#) Go to the field ACA - [935](#) Go to the field BBA - [806](#) Go to the field BCA - [100](#)

66 You are standing in front of the door at ADA - You have the keys violet gray . None of your keys opens the hatch in the ceiling. You can look around [439](#)

67 You are standing in front of the door at CCA - You have the keys white orange . None of your keys opens the west door. You can look around [334](#)

68 You are standing in front of the door at BCA - You have the keys orange blue . None of your keys opens the east door. None of your keys opens the south door. You can look around [383](#)

69 You are standing in front of the door at BBA - You have the keys rust olive . None of your keys opens the north door. None of your keys opens the hatch in the ceiling. You can look around [1158](#)

70 You are standing in front of the door at CBA - You have the keys brown orange . You can open the door with the brown key and go north [938](#) You can open the hatch with the orange key and ascend to the upper level [445](#) You can look around [281](#)

71 You are standing in front of the door at ADA - You have the keys cream rust . You can open the hatch with the cream key and ascend to the upper level [477](#) You can look around [84](#)

72 You are standing in front of the door at DBB - You have the keys violet orange . None of your keys opens the south door. You can look around [102](#)

73 You are standing in front of the door at DCA - You have the keys brown gray . None of your keys opens the south door. You can open the hatch with the gray key and ascend to the upper level [721](#) You can look around [336](#)

74 You are standing in front of the door at DBB - You have the keys white peach . None of your keys opens the south door. You can look around [525](#)

75 You are standing in front of the door at BBA - You have the keys white orange . You can open the door with the white key and go north [1140](#) None of your keys opens the hatch in the ceiling. You can look around [188](#)

76 You are standing next to the dwarf at DBA. You have the gray key. Hello, my name is Gromdec Barrelblade . The dwarf does not accept any exchange. You can look around [857](#)

77 You are standing in front of the door at ACB - You have the keys black rust . You can open the hatch with the rust key and descend to the lower level [1083](#) You can look around [496](#)

78 You are standing next to the dwarf at DBA. You have the keys gray olive . Hello, my name is Gromdec Barrelblade . The dwarf says: "I would give you the keys violet black for your keys." If you accept it go to [1232](#) . You can look around [1039](#)

79 You are standing in front of the door at BDA - You have the keys violet orange . None of your keys opens the north door. You can look around [994](#)

80 You are standing in front of the door at DCA - You have the keys gray coral . None of your keys opens the south door. You can open the hatch with the gray key and ascend to the upper level [567](#) You can look around [343](#)

81 You are standing in a small room. Apart from you there is a dwarf at ACA here. There is a door BBA in the northern wall. There is a door BCA in the eastern wall. There is a door BCA in the southern wall. There are 2 hatches in the ceiling. ACA BBA . You have the keys brown white . What do you want to do? Talk with the dwarf - go to [523](#) Go to the field ACA - [520](#) Go to the field BBA - [3](#) Go to the field BCA - [143](#)

82 You are standing in front of the door at CAA - You have the keys peach coral . None of your keys opens the south door. You can open the hatch with the peach key and ascend to the upper level [287](#) You can look around [1159](#)

83 You are standing in front of the door at CAB - You have the peach key. You can open the hatch with the peach key and descend to the lower level [752](#) You can look around [918](#)

84 You are standing in a corridor leading from east to west. Apart from you there is a dwarf at CDA here. There are 2 door in the northern wall. BDA DDA . There is a hatch ADA in the ceiling. You have the keys cream rust . What do you want to do? Talk with the dwarf - go to [906](#) Go to the field ADA - [71](#) Go to the field BDA - [1224](#) Go to the field DDA - [1199](#)

85 You are standing in front of the door at DCB - You have the keys olive orange . You can open the door with the olive key and go north [355](#) None of your keys opens the hatch in the floor. You can look around [732](#)

86 You are standing in front of the door at DCA - You have the keys coral blue . None of your keys opens the south door. None of your keys opens the hatch in the ceiling. You can look

around [1051](#)

87 You are standing in a small room. Apart from you there is a dwarf at ACA here. There is a door BBA in the northern wall. There is a door BCA in the eastern wall. There is a door BCA in the southern wall. There are 2 hatches in the ceiling. ACA BBA . You have the keys peach blue . What do you want to do? Talk with the dwarf - go to [511](#) Go to the field ACA - [484](#) Go to the field BBA - [455](#) Go to the field BCA - [791](#)

88 You are standing next to the dwarf at ACB. You have the keys gray orange . Hello, my name is Destrumri Beastbeard . The dwarf says: "I would give you the keys brown gray for your keys." If you accept it go to [672](#) . The dwarf says: "I would give you the keys rust olive for your keys." If you accept it go to [736](#) . You can look around [839](#)

89 You are standing in a small room. Apart from you there is a dwarf at DBA here. There is a door CBA in the northern wall. There is a door DCA in the southern wall. There is a door CCA in the western wall. There are 2 hatches in the ceiling. CBA DCA . You have the violet key. What do you want to do? Talk with the dwarf - go to [739](#) Go to the field CBA - [148](#) Go to the field CCA - [23](#) Go to the field DCA - [370](#)

90 You are standing in front of the door at BDA - You have the violet key. None of your keys opens the north door. You can look around [927](#)

91 You are standing in front of the door at CAA - You have the keys violet peach . None of your keys opens the south door. You can open the hatch with the peach key and ascend to the upper level [987](#) You can look around [176](#)

92 You are standing in front of the door at CAB - You have the keys orange blue . None of your keys opens the hatch in the floor. You can look around [232](#)

93 You are standing in front of the door at CAB - You have the keys rust olive . None of your keys opens the hatch in the floor. You can look around [923](#)

94 You are standing in front of the door at BBB - You have the keys black blue . You can open the hatch with the blue key and descend to the lower level [1243](#) You can look around [855](#)

95 You are standing next to the dwarf at ABB. You have the orange key. Hello, my name is Rukhon Copperbrewer . The dwarf says: "I would give you the keys brown olive for your keys." If you accept it go to [242](#) . The dwarf says: "I would give you the keys black orange for your keys." If you accept it go to [1139](#) . The dwarf says: "I would give you the keys black peach for your keys." If you accept it go to [932](#) . The dwarf says: "I would give you the keys violet olive for your keys." If you accept it go to [814](#) . The dwarf says: "I would give you the keys peach gray for your keys." If you accept it go to [204](#) . The dwarf says: "I would give you the keys peach rust for your keys." If you accept it go to [468](#) . You can look around [608](#)

96 You are standing in front of the door at CBB - You have the keys white blue . None of your keys opens the hatch in the floor. You can look around [939](#)

97 You are standing next to the dwarf at ACB. You have the keys brown rust . Hello, my name is Destrumri Beastbeard . The dwarf does not accept any exchange. You can look around

539

98 You are standing in front of the door at ADB - You have the keys black gray . None of your keys opens the hatch in the floor. You can look around [764](#)

99 You are standing next to the dwarf at ACA. You have the keys cream blue . Hello, my name is Yubrumir Merrygut . The dwarf says: "I would give you the keys black brown for your keys." If you accept it go to [859](#) . The dwarf says: "I would give you the keys white olive for your keys." If you accept it go to [465](#) . The dwarf says: "I would give you the keys coral blue for your keys." If you accept it go to [1074](#) . The dwarf says: "I would give you the keys black peach for your keys." If you accept it go to [1073](#) . The dwarf says: "I would give you the white key for your keys." If you accept it go to [1100](#) . The dwarf says: "I would give you the keys brown blue for your keys." If you accept it go to [965](#) . The dwarf says: "I would give you the keys peach blue for your keys." If you accept it go to [511](#) . The dwarf says: "I would give you the keys cream black for your keys." If you accept it go to [717](#) . The dwarf says: "I would give you the keys white orange for your keys." If you accept it go to [636](#) . The dwarf says: "I would give you the keys cream coral for your keys." If you accept it go to [829](#) . The dwarf says: "I would give you the keys black olive for your keys." If you accept it go to [753](#) . The dwarf says: "I would give you the keys violet rust for your keys." If you accept it go to [995](#) . The dwarf says: "I would give you the keys violet white for your keys." If you accept it go to [693](#) . The dwarf says: "I would give you the keys peach rust for your keys." If you accept it go to [402](#) . You can look around [463](#)

100 You are standing in front of the door at BCA - You have the coral key. You can open the door with the coral key and go east [58](#) None of your keys opens the south door. You can look around [65](#)

101 You are standing in front of the door at BCA - You have the keys cream blue . None of your keys opens the east door. None of your keys opens the south door. You can look around [463](#)

102 You are standing in a small room. Apart from you there is a dwarf at ABB here. There is a door DBB in the southern wall. There are 3 hatches in the floor. BBB CAB CBB . You have the keys violet orange . What do you want to do? Talk with the dwarf - go to [1226](#) Go to the field BBB - [169](#) Go to the field CAB - [303](#) Go to the field CBB - [245](#) Go to the field DBB - [72](#)

103 You are standing in front of the door at BBA - You have the keys violet black . None of your keys opens the north door. None of your keys opens the hatch in the ceiling. You can look around [220](#)

104 You are standing in front of the door at ADA - You have the keys violet white . None of your keys opens the hatch in the ceiling. You can look around [33](#)

105 You are standing in front of the door at ADB - You have the keys cream brown . You can open the hatch with the cream key and descend to the lower level [1247](#) You can look around [18](#)

106 You are standing next to the dwarf at ABB. You have the keys white orange . Hello, my name is Rukhon Copperbrewer . The dwarf does not accept any exchange. You can look around [1104](#)

107 You are standing in front of the door at ADA - You have the keys violet orange . None of your keys opens the hatch in the ceiling. You can look around [994](#)

108 You are standing in front of the door at CAA - You have the keys cream peach . None of your keys opens the south door. You can open the hatch with the peach key and ascend to the upper level [704](#) You can look around [1042](#)

109 You are standing in a small room. Apart from you there is a dwarf at ACB here. There is a door DCB in the northern wall. There are 3 hatches in the floor. ACB ADB DCB . You have the keys gray blue . What do you want to do? Talk with the dwarf - go to [519](#) Go to the field ACB - [115](#) Go to the field ADB - [767](#) Go to the field DCB - [1157](#)

110 You are standing in front of the door at BBA - You have the keys brown coral . None of your keys opens the north door. None of your keys opens the hatch in the ceiling. You can look around [587](#)

111 You are standing in front of the door at DBB - You have the keys cream blue . None of your keys opens the south door. You can look around [1248](#)

112 You are standing in front of the door at CAA - You have the white key. None of your keys opens the south door. None of your keys opens the hatch in the ceiling. You can look around [718](#)

113 You are standing in front of the door at CBB - You have the keys peach blue . None of your keys opens the hatch in the floor. You can look around [252](#)

114 You are standing in front of the door at CBB - You have the keys black blue . None of your keys opens the hatch in the floor. You can look around [855](#)

115 You are standing in front of the door at ACB - You have the keys gray blue . None of your keys opens the hatch in the floor. You can look around [109](#)

116 You are standing in front of the door at DBB - You have the keys rust olive . You can open the door with the olive key and go south [811](#) You can look around [923](#)

117 You are standing in a corridor leading from east to west. Apart from you there is a dwarf at DAA here. There are 2 door in the southern wall. BAA CAA . There is a hatch CAA in the ceiling. You have the keys peach gray . What do you want to do? Talk with the dwarf - go to [1208](#) Go to the field BAA - [981](#) Go to the field CAA - [1059](#)

118 You are standing in front of the door at ADB - You have the keys black rust . None of your keys opens the hatch in the floor. You can look around [496](#)

119 You are standing next to the dwarf at ACB. You have the keys rust orange . Hello, my name is Destrumri Beastbeard . The dwarf says: "I would give you the keys cream brown for your keys." If you accept it go to [687](#) . The dwarf says: "I would give you the keys olive coral for your keys." If you accept it go to [591](#) . The dwarf says: "I would give you the cream key for your keys." If you accept it go to [873](#) . The dwarf says: "I would give you the keys peach rust for your keys." If you accept it go to [46](#) . The dwarf says: "I would give you the keys black rust

for your keys." If you accept it go to [780](#) . You can look around [1127](#)

120 You are standing in a small room.Apart from you there is a dwarf at ACA here.There is a door BBA in the northern wall.There is a door BCA in the eastern wall.There is a door BCA in the southern wall.There are 2 hatches in the ceiling.ACA BBA . You have the keys cream white . What do you want to do? Talk with the dwarf - go to [936](#) Go to the field ACA - [676](#) Go to the field BBA - [1211](#) Go to the field BCA - [491](#)

121 You are standing in front of the door at ACB - You have the keys gray rust . You can open the hatch with the rust key and descend to the lower level [720](#) You can look around [881](#)

122 You are standing in a small room.Apart from you there is a dwarf at ACB here.There is a door DCB in the northern wall.There are 3 hatches in the floor.ACB ADB DCB . You have the keys cream violet . What do you want to do? Talk with the dwarf - go to [1163](#) Go to the field ACB - [47](#) Go to the field ADB - [335](#) Go to the field DCB - [561](#)

123 You are standing in front of the door at BBB - You have the keys gray olive . None of your keys opens the hatch in the floor. You can look around [727](#)

124 You are standing in front of the door at CCA - You have the keys violet orange . None of your keys opens the west door. You can look around [625](#)

125 You are standing next to the dwarf at ACA. You have the keys gray rust . Hello, my name is Yubrumir Merrygut . The dwarf says: "I would give you the keys cream white for your keys." If you accept it go to [936](#) . The dwarf says: "I would give you the keys black blue for your keys." If you accept it go to [1050](#) . The dwarf says: "I would give you the rust key for your keys." If you accept it go to [493](#) . You can look around [147](#)

126 You are standing in front of the door at CBB - You have the keys peach olive . None of your keys opens the hatch in the floor. You can look around [771](#)

127 You are standing in front of the door at ADB - You have the keys violet olive . None of your keys opens the hatch in the floor. You can look around [1194](#)

128 You are standing in front of the door at CCA - You have the keys brown gray . None of your keys opens the west door. You can look around [336](#)

129 You are standing in front of the door at CBA - You have the keys brown gray . You can open the door with the brown key and go north [858](#) None of your keys opens the hatch in the ceiling. You can look around [336](#)

130 You are standing next to the dwarf at DAA. You have the keys black white . Hello, my name is Saduc Ironbrow . The dwarf says: "I would give you the keys white blue for your keys." If you accept it go to [213](#) . You can look around [547](#)

131 You are standing in front of the door at ADB - You have the keys cream orange . You can open the hatch with the cream key and descend to the lower level [564](#) You can look around [423](#)

132 You are standing next to the dwarf at ACA. You have the blue key. Hello, my name is Yubrumir Merrygut . The dwarf says: "I would give you the keys peach coral for your keys." If you accept it go to [435](#) . You can look around [1237](#)

133 You are standing in front of the door at ACA - You have the keys violet rust . You can open the hatch with the rust key and ascend to the upper level [998](#) You can look around [569](#)

134 You are standing in a corridor leading from east to west. Apart from you there is a dwarf at CDA here. There are 2 door in the northern wall. BDA DDA . There is a hatch ADA in the ceiling. You have the keys cream black . What do you want to do? Talk with the dwarf - go to [1142](#) Go to the field ADA - [822](#) Go to the field BDA - [940](#) Go to the field DDA - [533](#)

135 You are standing in front of the door at ADB - You have the olive key. None of your keys opens the hatch in the floor. You can look around [311](#)

136 You are standing in front of the door at DDA - You have the keys cream orange . None of your keys opens the north door. You can look around [785](#)

137 You are standing in front of the door at CAA - You have the keys white orange . None of your keys opens the south door. None of your keys opens the hatch in the ceiling. You can look around [178](#)

138 You are standing in front of the door at CBB - You have the orange key. You can open the hatch with the orange key and descend to the lower level [728](#) You can look around [608](#)

139 You are standing next to the dwarf at ABB. You have the keys violet peach . Hello, my name is Rukhon Copperbrewer . The dwarf does not accept any exchange. You can look around [1177](#)

140 You are standing in front of the door at BBB - You have the orange key. None of your keys opens the hatch in the floor. You can look around [608](#)

141 You are standing in front of the door at CBB - You have the keys gray orange . You can open the hatch with the orange key and descend to the lower level [1113](#) You can look around [719](#)

142 You are standing in a small room. Apart from you there is a dwarf at ABB here. There is a door DBB in the southern wall. There are 3 hatches in the floor. BBB CAB CBB . You have the keys violet blue . What do you want to do? Talk with the dwarf - go to [840](#) Go to the field BBB - [751](#) Go to the field CAB - [1141](#) Go to the field CBB - [330](#) Go to the field DBB - [951](#)

143 You are standing in front of the door at BCA - You have the keys brown white . None of your keys opens the east door. None of your keys opens the south door. You can look around [81](#)

144 You are standing in front of the door at CBA - You have the keys brown olive . You can open the door with the brown key and go north [1144](#) None of your keys opens the hatch in the ceiling. You can look around [524](#)

145 You are standing in front of the door at CAB - You have the keys black olive . None of your keys opens the hatch in the floor. You can look around [1122](#)

146 You are standing in front of the door at BCA - You have the blue key. None of your keys opens the east door. None of your keys opens the south door. You can look around [1237](#)

147 You are standing in a small room. Apart from you there is a dwarf at ACA here. There is a door BBA in the northern wall. There is a door BCA in the eastern wall. There is a door BCA in the southern wall. There are 2 hatches in the ceiling. ACA BBA . You have the keys gray rust . What do you want to do? Talk with the dwarf - go to [125](#) Go to the field ACA - [720](#) Go to the field BBA - [1033](#) Go to the field BCA - [1253](#)

148 You are standing in front of the door at CBA - You have the violet key. None of your keys opens the north door. None of your keys opens the hatch in the ceiling. You can look around [89](#)

149 You are standing in front of the door at BBB - You have the keys coral blue . You can open the hatch with the blue key and descend to the lower level [723](#) You can look around [391](#)

150 You are standing in front of the door at BBA - You have the black key. None of your keys opens the north door. None of your keys opens the hatch in the ceiling. You can look around [1117](#)

151 You are standing in front of the door at DBB - You have the keys olive coral . You can open the door with the olive key and go south [640](#) You can look around [9](#)

152 You are standing in a small room. Apart from you there is a dwarf at ABB here. There is a door DBB in the southern wall. There are 3 hatches in the floor. BBB CAB CBB . You have the keys black orange . What do you want to do? Talk with the dwarf - go to [1139](#) Go to the field BBB - [228](#) Go to the field CAB - [960](#) Go to the field CBB - [8](#) Go to the field DBB - [244](#)

153 You are standing next to the dwarf at ACA. You have the keys rust olive . Hello, my name is Yubrumir Merrygut . The dwarf says: "I would give you the black key for your keys." If you accept it go to [194](#) . The dwarf says: "I would give you the keys rust blue for your keys." If you accept it go to [862](#) . The dwarf says: "I would give you the keys olive blue for your keys." If you accept it go to [61](#) . You can look around [1158](#)

154 You are standing next to the dwarf at CDA. You have the keys black orange . Hello, my name is Ruvolin Windsunder . The dwarf does not accept any exchange. You can look around [615](#)

155 You are standing in front of the door at ADB - You have the keys gray olive . None of your keys opens the hatch in the floor. You can look around [816](#)

156 You are standing in front of the door at ACB - You have the keys rust olive . You can open the hatch with the rust key and descend to the lower level [763](#) You can look around [724](#)

157 You are standing in front of the door at ACA - You have the keys olive blue . None of your keys opens the hatch in the ceiling. You can look around [901](#)

158 You are standing in front of the door at DCA - You have the keys cream violet . You can open the door with the violet key and go south [933](#) None of your keys opens the hatch in the ceiling. You can look around [415](#)

159 You are standing in front of the door at DDA - You have the keys black brown . None of your keys opens the north door. You can look around [899](#)

160 You are standing in front of the door at CBA - You have the keys brown blue . You can open the door with the brown key and go north [481](#) None of your keys opens the hatch in the ceiling. You can look around [957](#)

161 You are standing in front of the door at BBA - You have the keys white rust . You can open the door with the white key and go north [786](#) None of your keys opens the hatch in the ceiling. You can look around [773](#)

162 You are standing next to the dwarf at ACA. You have the keys black rust . Hello, my name is Yubrumir Merrygut . The dwarf says: "I would give you the keys brown white for your keys." If you accept it go to [523](#) . The dwarf says: "I would give you the keys brown coral for your keys." If you accept it go to [1200](#) . You can look around [195](#)

163 You are standing in a corridor leading from east to west. Apart from you there is a dwarf at CDA here. There are 2 door in the northern wall. BDA DDA . There is a hatch ADA in the ceiling. You have the keys cream coral . What do you want to do? Talk with the dwarf - go to [489](#) Go to the field ADA - [860](#) Go to the field BDA - [191](#) Go to the field DDA - [25](#)

164 You are standing next to the dwarf at DAA. You have the keys white peach . Hello, my name is Saduc Ironbrow . The dwarf does not accept any exchange. You can look around [1216](#)

165 You are standing in front of the door at DCB - You have the keys gray rust . None of your keys opens the north door. You can open the hatch with the gray key and descend to the lower level [505](#) You can look around [881](#)

166 You are standing in front of the door at ACB - You have the keys peach rust . You can open the hatch with the rust key and descend to the lower level [522](#) You can look around [646](#)

167 You are standing in front of the door at ACB - You have the olive key. None of your keys opens the hatch in the floor. You can look around [311](#)

168 You are standing in front of the door at BBB - You have the keys white orange . None of your keys opens the hatch in the floor. You can look around [1104](#)

169 You are standing in front of the door at BBB - You have the keys violet orange . None of your keys opens the hatch in the floor. You can look around [102](#)

170 You are standing in front of the door at CAB - You have the keys peach rust . You can open the hatch with the peach key and descend to the lower level [456](#) You can look around [573](#)

171 You are standing next to the dwarf at DAA. You have the keys brown white . Hello, my name is Saduc Ironbrow . The dwarf says: "I would give you the keys white gray for your keys." If you accept it go to [208](#) . The dwarf says: "I would give you the keys brown gray for your keys." If you accept it go to [831](#) . The dwarf says: "I would give you the keys violet brown for your keys." If you accept it go to [1170](#) . The dwarf says: "I would give you the keys cream peach for your keys." If you accept it go to [968](#) . The dwarf says: "I would give you the keys brown blue for your keys." If you accept it go to [365](#) . The dwarf says: "I would give you the keys brown rust for your keys." If you accept it go to [14](#) . The dwarf says: "I would give you the keys violet peach for your keys." If you accept it go to [790](#) . The dwarf says: "I would give you the keys peach rust for your keys." If you accept it go to [770](#) . The dwarf says: "I would give you the brown key for your keys." If you accept it go to [917](#) . You can look around [1255](#)

172 You are standing in front of the door at CCA - You have the keys cream brown . None of your keys opens the west door. You can look around [1086](#)

173 You are standing in front of the door at CCA - You have the keys rust coral . You can open the door with the coral key and go west [911](#) You can look around [1138](#)

174 You are standing in front of the door at CCA - You have the keys brown olive . None of your keys opens the west door. You can look around [524](#)

175 You are standing in front of the door at CCA - You have the keys violet black . None of your keys opens the west door. You can look around [309](#)

176 You are standing in a corridor leading from east to west. Apart from you there is a dwarf at DAA here. There are 2 door in the southern wall. BAA CAA . There is a hatch CAA in the ceiling. You have the keys violet peach . What do you want to do? Talk with the dwarf - go to [790](#) Go to the field BAA - [949](#) Go to the field CAA - [91](#)

177 You are standing in front of the door at CAB - You have the keys olive orange . None of your keys opens the hatch in the floor. You can look around [63](#)

178 You are standing in a corridor leading from east to west. Apart from you there is a dwarf at DAA here. There are 2 door in the southern wall. BAA CAA . There is a hatch CAA in the ceiling. You have the keys white orange . What do you want to do? Talk with the dwarf - go to [479](#) Go to the field BAA - [1140](#) Go to the field CAA - [137](#)

179 You are standing in front of the door at ACB - You have the keys violet olive . None of your keys opens the hatch in the floor. You can look around [1194](#)

180 You are standing next to the dwarf at DAA. You have the white key. Hello, my name is Saduc Ironbrow . The dwarf does not accept any exchange. You can look around [718](#)

181 You are standing in front of the door at CCA - You have the gray key. None of your keys opens the west door. You can look around [857](#)

182 You are standing next to the dwarf at DBA. You have the keys rust coral . Hello, my name is Gromdec Barrelblade . The dwarf says: "I would give you the keys brown coral for your

keys." If you accept it go to [469](#) . The dwarf says: "I would give you the keys violet orange for your keys." If you accept it go to [21](#) . You can look around [1138](#)

183 You are standing next to the dwarf at ABB. You have the keys gray olive . Hello, my name is Rukhon Copperbrewer . The dwarf says: "I would give you the keys white peach for your keys." If you accept it go to [581](#) . The dwarf says: "I would give you the keys olive orange for your keys." If you accept it go to [944](#) . You can look around [727](#)

184 You are standing in front of the door at CBA - You have the coral key. None of your keys opens the north door. None of your keys opens the hatch in the ceiling. You can look around [622](#)

185 You are standing in a corridor leading from east to west. Apart from you there is a dwarf at DAA here. There are 2 doors in the southern wall. BAA CAA . There is a hatch CAA in the ceiling. You have the keys white blue . What do you want to do? Talk with the dwarf - go to [213](#) Go to the field BAA - [205](#) Go to the field CAA - [1092](#)

186 You are standing next to the dwarf at ACA. You have the keys violet coral . Hello, my name is Yubrumir Merrygut . The dwarf does not accept any exchange. You can look around [269](#)

187 You are standing in a small room. Apart from you there is a dwarf at ABB here. There is a door DBB in the southern wall. There are 3 hatches in the floor. BBB CAB CBB . You have the keys gray blue . What do you want to do? Talk with the dwarf - go to [16](#) Go to the field BBB - [509](#) Go to the field CAB - [536](#) Go to the field CBB - [461](#) Go to the field DBB - [853](#)

188 You are standing in a small room. Apart from you there is a dwarf at ACA here. There is a door BBA in the northern wall. There is a door BCA in the eastern wall. There is a door BCA in the southern wall. There are 2 hatches in the ceiling. ACA BBA . You have the keys white orange . What do you want to do? Talk with the dwarf - go to [636](#) Go to the field ACA - [691](#) Go to the field BBA - [75](#) Go to the field BCA - [517](#)

189 You are standing in front of the door at BCA - You have the keys olive blue . None of your keys opens the east door. None of your keys opens the south door. You can look around [901](#)

190 You are standing in a small room. Apart from you there is a dwarf at DBA here. There is a door CBA in the northern wall. There is a door DCA in the southern wall. There is a door CCA in the western wall. There are 2 hatches in the ceiling. CBA DCA . You have the keys cream gray . What do you want to do? Talk with the dwarf - go to [35](#) Go to the field CBA - [1203](#) Go to the field CCA - [634](#) Go to the field DCA - [54](#)

191 You are standing in front of the door at BDA - You have the keys cream coral . None of your keys opens the north door. You can look around [163](#)

192 You are standing in front of the door at DDA - You have the keys violet peach . You can open the door with the violet key and go north [1048](#) You can look around [842](#)

193 You are standing in front of the door at BDA - You have the keys violet black . You can open the door with the black key and go north [56](#) You can look around [745](#)

194 You are standing next to the dwarf at ACA. You have the black key. Hello, my name is Yubrumir Merrygut . The dwarf says: "I would give you the keys rust olive for your keys." If you accept it go to [153](#) . The dwarf says: "I would give you the keys rust blue for your keys." If you accept it go to [862](#) . The dwarf says: "I would give you the keys olive blue for your keys." If you accept it go to [61](#) . You can look around [1117](#)

195 You are standing in a small room. Apart from you there is a dwarf at ACA here. There is a door BBA in the northern wall. There is a door BCA in the eastern wall. There is a door BCA in the southern wall. There are 2 hatches in the ceiling. ACA BBA . You have the keys black rust . What do you want to do? Talk with the dwarf - go to [162](#) Go to the field ACA - [1083](#) Go to the field BBA - [756](#) Go to the field BCA - [1236](#)

196 You are standing in front of the door at CBA - You have the keys brown coral . You can open the door with the brown key and go north [1186](#) None of your keys opens the hatch in the ceiling. You can look around [386](#)

197 You are standing in a small room. Apart from you there is a dwarf at ABB here. There is a door DBB in the southern wall. There are 3 hatches in the floor. BBB CAB CBB . You have the keys violet olive . What do you want to do? Talk with the dwarf - go to [814](#) Go to the field BBB - [1085](#) Go to the field CAB - [1221](#) Go to the field CBB - [1124](#) Go to the field DBB - [902](#)

198 You are standing in front of the door at CAB - You have the keys gray olive . None of your keys opens the hatch in the floor. You can look around [727](#)

199 You are standing in front of the door at BDA - You have the keys cream peach . None of your keys opens the north door. You can look around [395](#)

200 You are standing in a small room. Apart from you there is a dwarf at DBA here. There is a door CBA in the northern wall. There is a door DCA in the southern wall. There is a door CCA in the western wall. There are 2 hatches in the ceiling. CBA DCA . You have the keys gray rust . What do you want to do? Talk with the dwarf - go to [1072](#) Go to the field CBA - [635](#) Go to the field CCA - [253](#) Go to the field DCA - [505](#)

201 You are standing in front of the door at BCA - You have the keys violet rust . None of your keys opens the east door. None of your keys opens the south door. You can look around [569](#)

202 You are standing in front of the door at ADA - You have the keys cream gray . You can open the hatch with the cream key and ascend to the upper level [1210](#) You can look around [679](#)

203 You are standing in front of the door at BBB - You have the keys brown blue . You can open the hatch with the blue key and descend to the lower level [826](#) You can look around [268](#)

204 You are standing next to the dwarf at ABB. You have the keys peach gray . Hello, my name is Rukhon Copperbrewer . The dwarf says: "I would give you the keys brown olive for your keys." If you accept it go to [242](#) . The dwarf says: "I would give you the orange key for your keys." If you accept it go to [95](#) . The dwarf says: "I would give you the keys black orange for your keys." If you accept it go to [1139](#) . The dwarf says: "I would give you the

keys black peach for your keys." If you accept it go to [932](#) . The dwarf says: "I would give you the keys violet olive for your keys." If you accept it go to [814](#) . The dwarf says: "I would give you the keys peach rust for your keys." If you accept it go to [468](#) . You can look around [1206](#)

205 You are standing in front of the door at BAA - You have the keys white blue . You can open the door with the white key and go south [218](#) You can look around [185](#)

206 You are standing in front of the door at BAA - You have the keys violet white . You can open the door with the white key and go south [578](#) You can look around [1093](#)

207 You are standing in front of the door at BBB - You have the keys coral orange . None of your keys opens the hatch in the floor. You can look around [478](#)

208 You are standing next to the dwarf at DAA. You have the keys white gray . Hello, my name is Saduc Ironbrow . The dwarf says: "I would give you the keys brown gray for your keys." If you accept it go to [831](#) . The dwarf says: "I would give you the keys violet brown for your keys." If you accept it go to [1170](#) . The dwarf says: "I would give you the keys cream peach for your keys." If you accept it go to [968](#) . The dwarf says: "I would give you the keys brown blue for your keys." If you accept it go to [365](#) . The dwarf says: "I would give you the keys brown rust for your keys." If you accept it go to [14](#) . The dwarf says: "I would give you the keys violet peach for your keys." If you accept it go to [790](#) . The dwarf says: "I would give you the keys peach rust for your keys." If you accept it go to [770](#) . The dwarf says: "I would give you the brown key for your keys." If you accept it go to [917](#) . The dwarf says: "I would give you the keys brown white for your keys." If you accept it go to [171](#) . You can look around [315](#)

209 You are standing in a small room. Apart from you there is a dwarf at ABB here. There is a door DBB in the southern wall. There are 3 hatches in the floor. BBB CAB CBB . You have the keys rust orange . What do you want to do? Talk with the dwarf - go to [1245](#) Go to the field BBB - [1058](#) Go to the field CAB - [1192](#) Go to the field CBB - [6](#) Go to the field DBB - [683](#)

210 You are standing in front of the door at DBB - You have the keys black blue . None of your keys opens the south door. You can look around [855](#)

211 You are standing in front of the door at BCA - You have the keys black olive . None of your keys opens the east door. You can open the door with the black key and go south [246](#) You can look around [598](#)

212 You are standing in front of the door at BBA - You have the keys cream coral . None of your keys opens the north door. None of your keys opens the hatch in the ceiling. You can look around [976](#)

213 You are standing next to the dwarf at DAA. You have the keys white blue . Hello, my name is Saduc Ironbrow . The dwarf says: "I would give you the keys black white for your keys." If you accept it go to [130](#) . You can look around [185](#)

214 You are standing next to the dwarf at ABB. You have the keys peach olive . Hello, my name is Rukhon Copperbrewer . The dwarf says: "I would give you the keys brown peach for your keys." If you accept it go to [604](#) . You can look around [771](#)

215 You are standing in a small room. Apart from you there is a dwarf at ABB here. There is a door DBB in the southern wall. There are 3 hatches in the floor. BBB CAB CBB . You have the keys brown orange . What do you want to do? Talk with the dwarf - go to [340](#) Go to the field BBB - [251](#) Go to the field CAB - [908](#) Go to the field CBB - [445](#) Go to the field DBB - [294](#)

216 You are standing in front of the door at CBB - You have the keys violet peach . None of your keys opens the hatch in the floor. You can look around [1177](#)

217 You are standing next to the dwarf at DBA. You have the keys white coral . Hello, my name is Gromdec Barrelblade . The dwarf does not accept any exchange. You can look around [1147](#)

218 You are standing in front of the door at BBA - You have the keys white blue . You can open the door with the white key and go north [205](#) You can open the hatch with the blue key and ascend to the upper level [894](#) You can look around [810](#)

219 You are standing in front of the door at BBA - You have the keys peach coral . None of your keys opens the north door. None of your keys opens the hatch in the ceiling. You can look around [501](#)

220 You are standing in a small room. Apart from you there is a dwarf at ACA here. There is a door BBA in the northern wall. There is a door BCA in the eastern wall. There is a door BCA in the southern wall. There are 2 hatches in the ceiling. ACA BBA . You have the keys violet black . What do you want to do? Talk with the dwarf - go to [792](#) Go to the field ACA - [39](#) Go to the field BBA - [103](#) Go to the field BCA - [56](#)

221 You are standing in front of the door at CCA - You have the keys violet rust . None of your keys opens the west door. You can look around [865](#)

222 You are standing next to the dwarf at DBA. You have the keys cream brown . Hello, my name is Gromdec Barrelblade . The dwarf says: "I would give you the violet key for your keys." If you accept it go to [739](#) . You can look around [1086](#)

223 You are standing in a small room. Apart from you there is a dwarf at DBA here. There is a door CBA in the northern wall. There is a door DCA in the southern wall. There is a door CCA in the western wall. There are 2 hatches in the ceiling. CBA DCA . You have the keys violet olive . What do you want to do? Talk with the dwarf - go to [278](#) Go to the field CBA - [647](#) Go to the field CCA - [403](#) Go to the field DCA - [1094](#)

224 You are standing in a small room. Apart from you there is a dwarf at ACA here. There is a door BBA in the northern wall. There is a door BCA in the eastern wall. There is a door BCA in the southern wall. There are 2 hatches in the ceiling. ACA BBA . You have the keys black brown . What do you want to do? Talk with the dwarf - go to [859](#) Go to the field ACA - [457](#) Go to the field BBA - [760](#) Go to the field BCA - [602](#)

225 You are standing in front of the door at CBA - You have the keys rust coral . None of your keys opens the north door. None of your keys opens the hatch in the ceiling. You can look around [1138](#)

226 You are standing in front of the door at BAA - You have the keys cream white . You can open the door with the white key and go south [1211](#) You can look around [379](#)

227 You are standing next to the dwarf at ACA. You have the keys white coral . Hello, my name is Yubrumir Merrygut . The dwarf says: "I would give you the keys rust orange for your keys." If you accept it go to [1176](#) . You can look around [991](#)

228 You are standing in front of the door at BBB - You have the keys black orange . None of your keys opens the hatch in the floor. You can look around [152](#)

229 You are standing in front of the door at CCA - You have the keys olive orange . None of your keys opens the west door. You can look around [903](#)

230 You are standing in front of the door at DDA - You have the keys black orange . None of your keys opens the north door. You can look around [615](#)

231 You are standing in front of the door at BCA - You have the keys brown blue . None of your keys opens the east door. None of your keys opens the south door. You can look around [475](#)

232 You are standing in a small room.Apart from you there is a dwarf at ABB here.There is a door DBB in the southern wall.There are 3 hatches in the floor.BBB CAB CBB . You have the keys orange blue . What do you want to do? Talk with the dwarf - go to [1080](#) Go to the field BBB - [804](#) Go to the field CAB - [92](#) Go to the field CBB - [652](#) Go to the field DBB - [1217](#)

233 You are standing in front of the door at DBB - You have the peach key. None of your keys opens the south door. You can look around [918](#)

234 You are standing in front of the door at BDA - You have the keys cream gray . None of your keys opens the north door. You can look around [679](#)

235 You are standing in front of the door at BBB - You have the keys cream peach . None of your keys opens the hatch in the floor. You can look around [1010](#)

236 You are standing next to the dwarf at CDA. You have the keys violet rust . Hello, my name is Ruvolin Windsunder . The dwarf says: "I would give you the keys violet orange for your keys." If you accept it go to [1165](#) . You can look around [673](#)

237 You are standing in front of the door at DDA - You have the keys cream white . None of your keys opens the north door. You can look around [32](#)

238 You are standing in a small room.Apart from you there is a dwarf at ACB here.There is a door DCB in the northern wall.There are 3 hatches in the floor.ACB ADB DCB . You have the keys cream coral . What do you want to do? Talk with the dwarf - go to [787](#) Go to the field ACB - [557](#) Go to the field ADB - [1116](#) Go to the field DCB - [835](#)

239 You are standing in front of the door at BCA - You have the keys peach coral . You can open the door with the coral key and go east [472](#) None of your keys opens the south door. You can look around [501](#)

240 You are standing in a small room. Apart from you there is a dwarf at DBA here. There is a door CBA in the northern wall. There is a door DCA in the southern wall. There is a door CCA in the western wall. There are 2 hatches in the ceiling. CBA DCA . You have the keys cream coral . What do you want to do? Talk with the dwarf - go to [712](#) Go to the field CBA - [660](#) Go to the field CCA - [588](#) Go to the field DCA - [925](#)

241 You are standing in front of the door at CAB - You have the keys black blue . None of your keys opens the hatch in the floor. You can look around [855](#)

242 You are standing next to the dwarf at ABB. You have the keys brown olive . Hello, my name is Rukhon Copperbrewer . The dwarf says: "I would give you the orange key for your keys." If you accept it go to [95](#) . The dwarf says: "I would give you the keys black orange for your keys." If you accept it go to [1139](#) . The dwarf says: "I would give you the keys black peach for your keys." If you accept it go to [932](#) . The dwarf says: "I would give you the keys violet olive for your keys." If you accept it go to [814](#) . The dwarf says: "I would give you the keys peach gray for your keys." If you accept it go to [204](#) . The dwarf says: "I would give you the keys peach rust for your keys." If you accept it go to [468](#) . You can look around [372](#)

243 You are standing in front of the door at DCB - You have the keys white olive . You can open the door with the olive key and go north [878](#) None of your keys opens the hatch in the floor. You can look around [1136](#)

244 You are standing in front of the door at DBB - You have the keys black orange . None of your keys opens the south door. You can look around [152](#)

245 You are standing in front of the door at CBB - You have the keys violet orange . You can open the hatch with the orange key and descend to the lower level [1056](#) You can look around [102](#)

246 You are standing in front of the door at BDA - You have the keys black olive . You can open the door with the black key and go north [211](#) You can look around [684](#)

247 You are standing in front of the door at CAB - You have the keys rust blue . None of your keys opens the hatch in the floor. You can look around [399](#)

248 You are standing in a corridor leading from east to west. Apart from you there is a dwarf at DAA here. There are 2 door in the southern wall. BAA CAA . There is a hatch CAA in the ceiling. You have the brown key. What do you want to do? Talk with the dwarf - go to [917](#) Go to the field BAA - [568](#) Go to the field CAA - [513](#)

249 You are standing in front of the door at CCA - You have the keys violet peach . None of your keys opens the west door. You can look around [711](#)

250 You are standing in front of the door at CCA - You have the keys brown white . None of your keys opens the west door. You can look around [583](#)

251 You are standing in front of the door at BBB - You have the keys brown orange . None of your keys opens the hatch in the floor. You can look around [215](#)

252 You are standing in a small room. Apart from you there is a dwarf at ABB here. There is a door DBB in the southern wall. There are 3 hatches in the floor. BBB CAB CBB . You have the keys peach blue . What do you want to do? Talk with the dwarf - go to [731](#) Go to the field BBB - [654](#) Go to the field CAB - [1129](#) Go to the field CBB - [113](#) Go to the field DBB - [446](#)

253 You are standing in front of the door at CCA - You have the keys gray rust . None of your keys opens the west door. You can look around [200](#)

254 You are standing next to the dwarf at ABB. You have the olive key. Hello, my name is Rukhon Copperbrewer . The dwarf says: "I would give you the keys white blue for your keys." If you accept it go to [990](#) . You can look around [535](#)

255 You are standing in front of the door at BDA - You have the keys cream violet . None of your keys opens the north door. You can look around [1252](#)

256 You are standing next to the dwarf at ACA. You have the keys black orange . Hello, my name is Yubrumir Merrygut . The dwarf says: "I would give you the keys violet blue for your keys." If you accept it go to [467](#) . The dwarf says: "I would give you the keys gray coral for your keys." If you accept it go to [620](#) . You can look around [1149](#)

257 You are standing in front of the door at ACA - You have the keys white gray . None of your keys opens the hatch in the ceiling. You can look around [373](#)

258 You are standing in front of the door at BDA - You have the keys violet white . None of your keys opens the north door. You can look around [33](#)

259 You are standing in a small room. Apart from you there is a dwarf at ACB here. There is a door DCB in the northern wall. There are 3 hatches in the floor. ACB ADB DCB . You have the keys cream gray . What do you want to do? Talk with the dwarf - go to [670](#) Go to the field ACB - [1191](#) Go to the field ADB - [1210](#) Go to the field DCB - [408](#)

260 You are standing in front of the door at BBB - You have the keys brown peach . None of your keys opens the hatch in the floor. You can look around [433](#)

261 You are standing in front of the door at CBA - You have the keys cream brown . You can open the door with the brown key and go north [528](#) None of your keys opens the hatch in the ceiling. You can look around [1086](#)

262 You are standing in front of the door at BBB - You have the keys olive blue . You can open the hatch with the blue key and descend to the lower level [357](#) You can look around [317](#)

263 You are standing in front of the door at BDA - You have the keys violet coral . None of your keys opens the north door. You can look around [323](#)

264 You are standing in front of the door at BBA - You have the keys white olive . You can open the door with the white key and go north [808](#) None of your keys opens the hatch in the ceiling. You can look around [434](#)

265 You are standing in front of the door at ACA - You have the keys cream coral . None

of your keys opens the hatch in the ceiling. You can look around [976](#)

266 You are standing next to the dwarf at DBA. You have the keys gray orange . Hello, my name is Gromdec Barrelblade . The dwarf says: "I would give you the keys brown olive for your keys." If you accept it go to [643](#) . You can look around [526](#)

267 You are standing next to the dwarf at CDA. You have the keys cream brown . Hello, my name is Ruvolin Windsunder . The dwarf does not accept any exchange. You can look around [744](#)

268 You are standing in a small room.Apart from you there is a dwarf at ABB here.There is a door DBB in the southern wall.There are 3 hatches in the floor.BBB CAB CBB . You have the keys brown blue . What do you want to do? Talk with the dwarf - go to [22](#) Go to the field BBB - [203](#) Go to the field CAB - [1161](#) Go to the field CBB - [1011](#) Go to the field DBB - [825](#)

269 You are standing in a small room.Apart from you there is a dwarf at ACA here.There is a door BBA in the northern wall.There is a door BCA in the eastern wall.There is a door BCA in the southern wall.There are 2 hatches in the ceiling.ACA BBA . You have the keys violet coral . What do you want to do? Talk with the dwarf - go to [186](#) Go to the field ACA - [542](#) Go to the field BBA - [893](#) Go to the field BCA - [1174](#)

270 You are standing in front of the door at ACA - You have the keys olive coral . None of your keys opens the hatch in the ceiling. You can look around [338](#)

271 You are standing in front of the door at BDA - You have the keys cream orange . None of your keys opens the north door. You can look around [785](#)

272 You are standing next to the dwarf at ABB. You have the keys coral orange . Hello, my name is Rukhon Copperbrewer . The dwarf says: "I would give you the keys peach blue for your keys." If you accept it go to [731](#) . The dwarf says: "I would give you the keys cream olive for your keys." If you accept it go to [844](#) . You can look around [478](#)

273 You are standing in front of the door at BAA - You have the keys black peach . None of your keys opens the south door. You can look around [761](#)

274 You are standing next to the dwarf at DAA. You have the keys peach blue . Hello, my name is Saduc Ironbrow . The dwarf does not accept any exchange. You can look around [892](#)

275 You are standing in front of the door at CCA - You have the keys violet coral . You can open the door with the coral key and go west [1174](#) You can look around [348](#)

276 You are standing in front of the door at BBA - You have the keys white peach . You can open the door with the white key and go north [614](#) None of your keys opens the hatch in the ceiling. You can look around [12](#)

277 You are standing in front of the door at BCA - You have the keys cream black . None of your keys opens the east door. You can open the door with the black key and go south [940](#) You can look around [359](#)

278 You are standing next to the dwarf at DBA. You have the keys violet olive . Hello, my name is Gromdec Barrelblade . The dwarf says: "I would give you the keys cream coral for your keys." If you accept it go to [712](#) . The dwarf says: "I would give you the keys orange blue for your keys." If you accept it go to [1209](#) . The dwarf says: "I would give you the coral key for your keys." If you accept it go to [353](#) . You can look around [223](#)

279 You are standing next to the dwarf at ACA. You have the keys coral orange . Hello, my name is Yubrumir Merrygut . The dwarf does not accept any exchange. You can look around [1026](#)

280 You are standing in front of the door at CCA - You have the keys rust orange . None of your keys opens the west door. You can look around [952](#)

281 You are standing in a small room.Apart from you there is a dwarf at DBA here.There is a door CBA in the northern wall.There is a door DCA in the southern wall.There is a door CCA in the western wall.There are 2 hatches in the ceiling.CBA DCA . You have the keys brown orange . What do you want to do? Talk with the dwarf - go to [992](#) Go to the field CBA - [70](#) Go to the field CCA - [889](#) Go to the field DCA - [1204](#)

282 You are standing in front of the door at ADB - You have the keys cream olive . You can open the hatch with the cream key and descend to the lower level [1126](#) You can look around [843](#)

283 You are standing in a small room.Apart from you there is a dwarf at ABB here.There is a door DBB in the southern wall.There are 3 hatches in the floor.BBB CAB CBB . You have the keys white olive . What do you want to do? Talk with the dwarf - go to [942](#) Go to the field BBB - [1188](#) Go to the field CAB - [31](#) Go to the field CBB - [887](#) Go to the field DBB - [878](#)

284 You are standing next to the dwarf at ABB. You have the peach key. Hello, my name is Rukhon Copperbrewer . The dwarf does not accept any exchange. You can look around [918](#)

285 You are standing in front of the door at DCB - You have the keys peach gray . None of your keys opens the north door. You can open the hatch with the gray key and descend to the lower level [817](#) You can look around [997](#)

286 You are standing in front of the door at ACB - You have the keys peach gray . None of your keys opens the hatch in the floor. You can look around [997](#)

287 You are standing in front of the door at CAB - You have the keys peach coral . You can open the hatch with the peach key and descend to the lower level [82](#) You can look around [1123](#)

288 You are standing in front of the door at CBB - You have the keys coral blue . None of your keys opens the hatch in the floor. You can look around [391](#)

289 You are standing in front of the door at ADB - You have the keys cream peach . You can open the hatch with the cream key and descend to the lower level [876](#) You can look around [879](#)

290 You are standing next to the dwarf at CDA. You have the keys black brown . Hello,

my name is Ruvolin Windsunder . The dwarf says: "I would give you the keys black white for your keys." If you accept it go to [805](#) . You can look around [899](#)

291 You are standing next to the dwarf at CDA. You have the keys black olive . Hello, my name is Ruvolin Windsunder . The dwarf does not accept any exchange. You can look around [684](#)

292 You are standing in front of the door at ACB - You have the keys cream white . None of your keys opens the hatch in the floor. You can look around [358](#)

293 You are standing in front of the door at CBA - You have the keys brown white . You can open the door with the brown key and go north [512](#) None of your keys opens the hatch in the ceiling. You can look around [583](#)

294 You are standing in front of the door at DBB - You have the keys brown orange . None of your keys opens the south door. You can look around [215](#)

295 You are standing next to the dwarf at CDA. You have the black key. Hello, my name is Ruvolin Windsunder . The dwarf does not accept any exchange. You can look around [337](#)

296 You are standing in front of the door at CCA - You have the orange key. None of your keys opens the west door. You can look around [492](#)

297 You are standing in front of the door at DCB - You have the keys cream brown . None of your keys opens the north door. None of your keys opens the hatch in the floor. You can look around [18](#)

298 You are standing in front of the door at ACA - You have the blue key. None of your keys opens the hatch in the ceiling. You can look around [1237](#)

299 You are standing in front of the door at ADA - You have the keys violet black . None of your keys opens the hatch in the ceiling. You can look around [745](#)

300 You are standing in front of the door at DDA - You have the cream key. None of your keys opens the north door. You can look around [885](#)

301 You are standing in front of the door at DDA - You have the keys violet black . You can open the door with the violet key and go north [401](#) You can look around [745](#)

302 You are standing in front of the door at CAA - You have the keys peach blue . None of your keys opens the south door. You can open the hatch with the peach key and ascend to the upper level [1129](#) You can look around [892](#)

303 You are standing in front of the door at CAB - You have the keys violet orange . None of your keys opens the hatch in the floor. You can look around [102](#)

304 You are standing next to the dwarf at ACA. You have the keys brown rust . Hello, my name is Yubrumir Merrygut . The dwarf says: "I would give you the keys black gray for your keys." If you accept it go to [644](#) . You can look around [565](#)

305 You are standing in front of the door at ACA - You have the keys white rust . You can open the hatch with the rust key and ascend to the upper level [421](#) You can look around [773](#)

306 You are standing in a small room.Apart from you there is a dwarf at ACB here.There is a door DCB in the northern wall.There are 3 hatches in the floor.ACB ADB DCB . You have the keys violet rust . What do you want to do? Talk with the dwarf - go to [630](#) Go to the field ACB - [998](#) Go to the field ADB - [413](#) Go to the field DCB - [324](#)

307 You are standing in front of the door at CBA - You have the keys white coral . None of your keys opens the north door. None of your keys opens the hatch in the ceiling. You can look around [1147](#)

308 You are standing in front of the door at BBA - You have the keys violet blue . None of your keys opens the north door. You can open the hatch with the blue key and ascend to the upper level [751](#) You can look around [891](#)

309 You are standing in a small room.Apart from you there is a dwarf at DBA here.There is a door CBA in the northern wall.There is a door DCA in the southern wall.There is a door CCA in the western wall.There are 2 hatches in the ceiling.CBA DCA . You have the keys violet black . What do you want to do? Talk with the dwarf - go to [1232](#) Go to the field CBA - [1021](#) Go to the field CCA - [175](#) Go to the field DCA - [401](#)

310 You are standing in front of the door at DDA - You have the keys black blue . None of your keys opens the north door. You can look around [828](#)

311 You are standing in a small room.Apart from you there is a dwarf at ACB here.There is a door DCB in the northern wall.There are 3 hatches in the floor.ACB ADB DCB . You have the olive key. What do you want to do? Talk with the dwarf - go to [51](#) Go to the field ACB - [167](#) Go to the field ADB - [135](#) Go to the field DCB - [50](#)

312 You are standing in front of the door at CBB - You have the blue key. None of your keys opens the hatch in the floor. You can look around [1257](#)

313 You are standing in a small room.Apart from you there is a dwarf at ACA here.There is a door BBA in the northern wall.There is a door BCA in the eastern wall.There is a door BCA in the southern wall.There are 2 hatches in the ceiling.ACA BBA . You have the keys black gray . What do you want to do? Talk with the dwarf - go to [644](#) Go to the field ACA - [62](#) Go to the field BBA - [1060](#) Go to the field BCA - [560](#)

314 You are standing in front of the door at DCA - You have the keys brown olive . None of your keys opens the south door. None of your keys opens the hatch in the ceiling. You can look around [524](#)

315 You are standing in a corridor leading from east to west.Apart from you there is a dwarf at DAA here.There are 2 door in the southern wall.BAA CAA . There is a hatch CAA in the ceiling. You have the keys white gray . What do you want to do? Talk with the dwarf - go to [208](#) Go to the field BAA - [762](#) Go to the field CAA - [730](#)

316 You are standing in front of the door at BDA - You have the keys cream blue . None of your keys opens the north door. You can look around [880](#)

317 You are standing in a small room.Apart from you there is a dwarf at ABB here.There is a door DBB in the southern wall.There are 3 hatches in the floor.BBB CAB CBB . You have the keys olive blue . What do you want to do? Talk with the dwarf - go to [642](#) Go to the field BBB - [262](#) Go to the field CAB - [758](#) Go to the field CBB - [42](#) Go to the field DBB - [851](#)

318 You are standing next to the dwarf at DAA. You have the keys brown olive . Hello, my name is Saduc Ironbrow . The dwarf says: "I would give you the keys cream brown for your keys." If you accept it go to [1119](#) . You can look around [1190](#)

319 You are standing next to the dwarf at DBA. You have the orange key. Hello, my name is Gromdec Barrelblade . The dwarf says: "I would give you the keys black brown for your keys." If you accept it go to [662](#) . You can look around [492](#)

320 You are standing in front of the door at CCA - You have the keys black gray . None of your keys opens the west door. You can look around [515](#)

321 You are standing in a small room.Apart from you there is a dwarf at DBA here.There is a door CBA in the northern wall.There is a door DCA in the southern wall.There is a door CCA in the western wall.There are 2 hatches in the ceiling.CBA DCA . You have the keys coral orange . What do you want to do? Talk with the dwarf - go to [946](#) Go to the field CBA - [555](#) Go to the field CCA - [916](#) Go to the field DCA - [466](#)

322 You are standing in front of the door at ACB - You have the keys rust blue . You can open the hatch with the rust key and descend to the lower level [497](#) You can look around [1251](#)

323 You are standing in a corridor leading from east to west.Apart from you there is a dwarf at CDA here.There are 2 door in the northern wall.BDA DDA . There is a hatch ADA in the ceiling. You have the keys violet coral . What do you want to do? Talk with the dwarf - go to [1172](#) Go to the field ADA - [1152](#) Go to the field BDA - [263](#) Go to the field DDA - [49](#)

324 You are standing in front of the door at DCB - You have the keys violet rust . None of your keys opens the north door. None of your keys opens the hatch in the floor. You can look around [306](#)

325 You are standing in front of the door at DBB - You have the keys black peach . None of your keys opens the south door. You can look around [406](#)

326 You are standing in front of the door at CAA - You have the keys white peach . None of your keys opens the south door. You can open the hatch with the peach key and ascend to the upper level [482](#) You can look around [1216](#)

327 You are standing in front of the door at ADB - You have the keys peach rust . None of your keys opens the hatch in the floor. You can look around [646](#)

328 You are standing next to the dwarf at DBA. You have the keys violet white . Hello, my name is Gromdec Barrelblade . The dwarf says: "I would give you the keys cream violet for

your keys." If you accept it go to [510](#) . The dwarf says: "I would give you the keys black gray for your keys." If you accept it go to [424](#) . You can look around [606](#)

329 You are standing in front of the door at CAB - You have the keys white orange . None of your keys opens the hatch in the floor. You can look around [1104](#)

330 You are standing in front of the door at CBB - You have the keys violet blue . None of your keys opens the hatch in the floor. You can look around [142](#)

331 You are standing in front of the door at BBA - You have the keys rust coral . None of your keys opens the north door. None of your keys opens the hatch in the ceiling. You can look around [801](#)

332 You are standing next to the dwarf at DAA. You have the keys white coral . Hello, my name is Saduc Ironbrow . The dwarf does not accept any exchange. You can look around [827](#)

333 You are standing in front of the door at CBB - You have the olive key. None of your keys opens the hatch in the floor. You can look around [535](#)

334 You are standing in a small room.Apart from you there is a dwarf at DBA here.There is a door CBA in the northern wall.There is a door DCA in the southern wall.There is a door CCA in the western wall.There are 2 hatches in the ceiling.CBA DCA . You have the keys white orange . What do you want to do? Talk with the dwarf - go to [1025](#) Go to the field CBA - [589](#) Go to the field CCA - [67](#) Go to the field DCA - [734](#)

335 You are standing in front of the door at ADB - You have the keys cream violet . You can open the hatch with the cream key and descend to the lower level [516](#) You can look around [122](#)

336 You are standing in a small room.Apart from you there is a dwarf at DBA here.There is a door CBA in the northern wall.There is a door DCA in the southern wall.There is a door CCA in the western wall.There are 2 hatches in the ceiling.CBA DCA . You have the keys brown gray . What do you want to do? Talk with the dwarf - go to [765](#) Go to the field CBA - [129](#) Go to the field CCA - [128](#) Go to the field DCA - [73](#)

337 You are standing in a corridor leading from east to west.Apart from you there is a dwarf at CDA here.There are 2 door in the northern wall.BDA DDA . There is a hatch ADA in the ceiling. You have the black key. What do you want to do? Talk with the dwarf - go to [295](#) Go to the field ADA - [1070](#) Go to the field BDA - [584](#) Go to the field DDA - [772](#)

338 You are standing in a small room.Apart from you there is a dwarf at ACA here.There is a door BBA in the northern wall.There is a door BCA in the eastern wall.There is a door BCA in the southern wall.There are 2 hatches in the ceiling.ACA BBA . You have the keys olive coral . What do you want to do? Talk with the dwarf - go to [44](#) Go to the field ACA - [270](#) Go to the field BBA - [548](#) Go to the field BCA - [850](#)

339 You are standing in front of the door at CCA - You have the keys cream orange . None of your keys opens the west door. You can look around [350](#)

340 You are standing next to the dwarf at ABB. You have the keys brown orange . Hello, my name is Rukhon Copperbrewer . The dwarf does not accept any exchange. You can look around [215](#)

341 You are standing in a small room.Apart from you there is a dwarf at ACB here.There is a door DCB in the northern wall.There are 3 hatches in the floor.ACB ADB DCB . You have the keys violet gray . What do you want to do? Talk with the dwarf - go to [768](#) Go to the field ACB - [969](#) Go to the field ADB - [658](#) Go to the field DCB - [1035](#)

342 You are standing in front of the door at ADA - You have the keys cream blue . You can open the hatch with the cream key and ascend to the upper level [364](#) You can look around [880](#)

343 You are standing in a small room.Apart from you there is a dwarf at DBA here.There is a door CBA in the northern wall.There is a door DCA in the southern wall.There is a door CCA in the western wall.There are 2 hatches in the ceiling.CBA DCA . You have the keys gray coral . What do you want to do? Talk with the dwarf - go to [1213](#) Go to the field CBA - [619](#) Go to the field CCA - [595](#) Go to the field DCA - [80](#)

344 You are standing in front of the door at DCB - You have the keys brown rust . None of your keys opens the north door. None of your keys opens the hatch in the floor. You can look around [539](#)

345 You are standing in front of the door at DBB - You have the keys gray orange . None of your keys opens the south door. You can look around [719](#)

346 You are standing in front of the door at ACA - You have the keys violet blue . None of your keys opens the hatch in the ceiling. You can look around [891](#)

347 You are standing in front of the door at BCA - You have the keys violet blue . None of your keys opens the east door. None of your keys opens the south door. You can look around [891](#)

348 You are standing in a small room.Apart from you there is a dwarf at DBA here.There is a door CBA in the northern wall.There is a door DCA in the southern wall.There is a door CCA in the western wall.There are 2 hatches in the ceiling.CBA DCA . You have the keys violet coral . What do you want to do? Talk with the dwarf - go to [1057](#) Go to the field CBA - [543](#) Go to the field CCA - [275](#) Go to the field DCA - [596](#)

349 You are standing in front of the door at CCA - You have the keys peach gray . None of your keys opens the west door. You can look around [1189](#)

350 You are standing in a small room.Apart from you there is a dwarf at DBA here.There is a door CBA in the northern wall.There is a door DCA in the southern wall.There is a door CCA in the western wall.There are 2 hatches in the ceiling.CBA DCA . You have the keys cream orange . What do you want to do? Talk with the dwarf - go to [847](#) Go to the field CBA - [1108](#) Go to the field CCA - [339](#) Go to the field DCA - [798](#)

351 You are standing in front of the door at DBB - You have the keys coral blue . None of your keys opens the south door. You can look around [391](#)

352 You are standing next to the dwarf at CDA. You have the keys cream peach . Hello, my name is Ruvolin Windsunder . The dwarf does not accept any exchange. You can look around [395](#)

353 You are standing next to the dwarf at DBA. You have the coral key. Hello, my name is Gromdec Barrelblade . The dwarf says: "I would give you the keys cream coral for your keys." If you accept it go to [712](#) . The dwarf says: "I would give you the keys violet olive for your keys." If you accept it go to [278](#) . The dwarf says: "I would give you the keys orange blue for your keys." If you accept it go to [1209](#) . You can look around [622](#)

354 You are standing in front of the door at DCA - You have the keys violet rust . You can open the door with the violet key and go south [1249](#) None of your keys opens the hatch in the ceiling. You can look around [865](#)

355 You are standing in front of the door at DBB - You have the keys olive orange . You can open the door with the olive key and go south [85](#) You can look around [63](#)

356 You are standing in front of the door at CCA - You have the keys cream violet . None of your keys opens the west door. You can look around [415](#)

357 You are standing in front of the door at BBA - You have the keys olive blue . None of your keys opens the north door. You can open the hatch with the blue key and ascend to the upper level [262](#) You can look around [901](#)

358 You are standing in a small room.Apart from you there is a dwarf at ACB here.There is a door DCB in the northern wall.There are 3 hatches in the floor.ACB ADB DCB . You have the keys cream white . What do you want to do? Talk with the dwarf - go to [393](#) Go to the field ACB - [292](#) Go to the field ADB - [552](#) Go to the field DCB - [453](#)

359 You are standing in a small room.Apart from you there is a dwarf at ACA here.There is a door BBA in the northern wall.There is a door BCA in the eastern wall.There is a door BCA in the southern wall.There are 2 hatches in the ceiling.ACA BBA . You have the keys cream black . What do you want to do? Talk with the dwarf - go to [717](#) Go to the field ACA - [532](#) Go to the field BBA - [913](#) Go to the field BCA - [277](#)

360 You are standing next to the dwarf at DAA. You have the keys peach coral . Hello, my name is Saduc Ironbrow . The dwarf says: "I would give you the keys white orange for your keys." If you accept it go to [479](#) . The dwarf says: "I would give you the peach key for your keys." If you accept it go to [396](#) . The dwarf says: "I would give you the keys cream white for your keys." If you accept it go to [914](#) . The dwarf says: "I would give you the keys white rust for your keys." If you accept it go to [36](#) . You can look around [1159](#)

361 You are standing in front of the door at BDA - You have the keys violet brown . None of your keys opens the north door. You can look around [53](#)

362 You are standing in front of the door at ADA - You have the keys violet brown . None of your keys opens the hatch in the ceiling. You can look around [53](#)

363 You are standing in a corridor leading from east to west.Apart from you there is a dwarf

at DAA here. There are 2 doors in the southern wall. BAA CAA . There is a hatch CAA in the ceiling. You have the keys white olive . What do you want to do? Talk with the dwarf - go to [38](#) Go to the field BAA - [808](#) Go to the field CAA - [632](#)

364 You are standing in front of the door at ADB - You have the keys cream blue . You can open the hatch with the cream key and descend to the lower level [342](#) You can look around [562](#)

365 You are standing next to the dwarf at DAA. You have the keys brown blue . Hello, my name is Saduc Ironbrow . The dwarf says: "I would give you the keys white gray for your keys." If you accept it go to [208](#) . The dwarf says: "I would give you the keys brown gray for your keys." If you accept it go to [831](#) . The dwarf says: "I would give you the keys violet brown for your keys." If you accept it go to [1170](#) . The dwarf says: "I would give you the keys cream peach for your keys." If you accept it go to [968](#) . The dwarf says: "I would give you the keys brown rust for your keys." If you accept it go to [14](#) . The dwarf says: "I would give you the keys violet peach for your keys." If you accept it go to [790](#) . The dwarf says: "I would give you the keys peach rust for your keys." If you accept it go to [770](#) . The dwarf says: "I would give you the brown key for your keys." If you accept it go to [917](#) . The dwarf says: "I would give you the keys brown white for your keys." If you accept it go to [171](#) . You can look around [452](#)

366 You are standing in front of the door at BBA - You have the keys black coral . None of your keys opens the north door. None of your keys opens the hatch in the ceiling. You can look around [405](#)

367 You are standing in a small room. Apart from you there is a dwarf at ACB here. There is a door DCB in the northern wall. There are 3 hatches in the floor. ACB ADB DCB . You have the keys gray coral . What do you want to do? Talk with the dwarf - go to [653](#) Go to the field ACB - [487](#) Go to the field ADB - [1064](#) Go to the field DCB - [567](#)

368 You are standing next to the dwarf at ACB. You have the keys gray rust . Hello, my name is Destrumri Beastbeard . The dwarf does not accept any exchange. You can look around [881](#)

369 You are standing in front of the door at ACB - You have the keys white olive . None of your keys opens the hatch in the floor. You can look around [1136](#)

370 You are standing in front of the door at DCA - You have the violet key. You can open the door with the violet key and go south [59](#) None of your keys opens the hatch in the ceiling. You can look around [89](#)

371 You are standing in front of the door at CCA - You have the keys gray olive . None of your keys opens the west door. You can look around [1039](#)

372 You are standing in a small room. Apart from you there is a dwarf at ABB here. There is a door DBB in the southern wall. There are 3 hatches in the floor. BBB CAB CBB . You have the keys brown olive . What do you want to do? Talk with the dwarf - go to [242](#) Go to the field BBB - [1065](#) Go to the field CAB - [1088](#) Go to the field CBB - [1022](#) Go to the field DBB - [800](#)

373 You are standing in a small room. Apart from you there is a dwarf at ACA here. There

is a door BBA in the northern wall. There is a door BCA in the eastern wall. There is a door BCA in the southern wall. There are 2 hatches in the ceiling. ACA BBA . You have the keys white gray . What do you want to do? Talk with the dwarf - go to [841](#) Go to the field ACA - [257](#) Go to the field BBA - [665](#) Go to the field BCA - [45](#)

374 You are standing in front of the door at ACB - You have the keys cream rust . You can open the hatch with the rust key and descend to the lower level [1254](#) You can look around [695](#)

375 You are standing in front of the door at BAA - You have the keys violet brown . None of your keys opens the south door. You can look around [905](#)

376 You are standing next to the dwarf at DBA. You have the keys rust orange . Hello, my name is Gromdec Barrelblade . The dwarf says: "I would give you the keys olive orange for your keys." If you accept it go to [1032](#) . You can look around [952](#)

377 You are standing in a corridor leading from east to west. Apart from you there is a dwarf at CDA here. There are 2 door in the northern wall. BDA DDA . There is a hatch ADA in the ceiling. You have the keys black white . What do you want to do? Talk with the dwarf - go to [805](#) Go to the field ADA - [1185](#) Go to the field BDA - [1146](#) Go to the field DDA - [1215](#)

378 You are standing in front of the door at ACB - You have the keys cream olive . None of your keys opens the hatch in the floor. You can look around [843](#)

379 You are standing in a corridor leading from east to west. Apart from you there is a dwarf at DAA here. There are 2 door in the southern wall. BAA CAA . There is a hatch CAA in the ceiling. You have the keys cream white . What do you want to do? Talk with the dwarf - go to [914](#) Go to the field BAA - [226](#) Go to the field CAA - [1017](#)

380 You are standing in front of the door at DCB - You have the keys peach olive . You can open the door with the olive key and go north [1187](#) None of your keys opens the hatch in the floor. You can look around [1214](#)

381 You are standing in front of the door at BDA - You have the keys black coral . You can open the door with the black key and go north [700](#) You can look around [698](#)

382 You are standing in front of the door at CAA - You have the keys black brown . You can open the door with the brown key and go south [996](#) None of your keys opens the hatch in the ceiling. You can look around [586](#)

383 You are standing in a small room. Apart from you there is a dwarf at ACA here. There is a door BBA in the northern wall. There is a door BCA in the eastern wall. There is a door BCA in the southern wall. There are 2 hatches in the ceiling. ACA BBA . You have the keys orange blue . What do you want to do? Talk with the dwarf - go to [1041](#) Go to the field ACA - [774](#) Go to the field BBA - [574](#) Go to the field BCA - [68](#)

384 You are standing in a corridor leading from east to west. Apart from you there is a dwarf at DAA here. There are 2 door in the southern wall. BAA CAA . There is a hatch CAA in the ceiling. You have the keys brown gray . What do you want to do? Talk with the dwarf - go to

[831](#) Go to the field BAA - [1082](#) Go to the field CAA - [858](#)

385 You are standing in front of the door at BCA - You have the keys coral blue . You can open the door with the coral key and go east [1132](#) None of your keys opens the south door. You can look around [443](#)

386 You are standing in a small room.Apart from you there is a dwarf at DBA here.There is a door CBA in the northern wall.There is a door DCA in the southern wall.There is a door CCA in the western wall.There are 2 hatches in the ceiling.CBA DCA . You have the keys brown coral . What do you want to do? Talk with the dwarf - go to [469](#) Go to the field CBA - [196](#) Go to the field CCA - [570](#) Go to the field DCA - [1234](#)

387 You are standing in a corridor leading from east to west.Apart from you there is a dwarf at DAA here.There are 2 door in the southern wall.BAA CAA . There is a hatch CAA in the ceiling. You have the keys peach rust . What do you want to do? Talk with the dwarf - go to [770](#) Go to the field BAA - [869](#) Go to the field CAA - [456](#)

388 You are standing next to the dwarf at DBA. You have the keys brown peach . Hello, my name is Gromdec Barrelblade . The dwarf does not accept any exchange. You can look around [657](#)

389 You are standing in front of the door at BBB - You have the keys olive orange . None of your keys opens the hatch in the floor. You can look around [63](#)

390 You are standing next to the dwarf at CDA. You have the keys black coral . Hello, my name is Ruvolin Windsunder . The dwarf says: "I would give you the keys violet coral for your keys." If you accept it go to [1172](#) . You can look around [698](#)

391 You are standing in a small room.Apart from you there is a dwarf at ABB here.There is a door DBB in the southern wall.There are 3 hatches in the floor.BBB CAB CBB . You have the keys coral blue . What do you want to do? Talk with the dwarf - go to [607](#) Go to the field BBB - [149](#) Go to the field CAB - [750](#) Go to the field CBB - [288](#) Go to the field DBB - [351](#)

392 You are standing in front of the door at BCA - You have the keys white coral . You can open the door with the coral key and go east [812](#) None of your keys opens the south door. You can look around [991](#)

393 You are standing next to the dwarf at ACB. You have the keys cream white . Hello, my name is Destrumri Beastbeard . The dwarf does not accept any exchange. You can look around [358](#)

394 You are standing in front of the door at DCB - You have the keys rust orange . None of your keys opens the north door. None of your keys opens the hatch in the floor. You can look around [1127](#)

395 You are standing in a corridor leading from east to west.Apart from you there is a dwarf at CDA here.There are 2 door in the northern wall.BDA DDA . There is a hatch ADA in the ceiling. You have the keys cream peach . What do you want to do? Talk with the dwarf - go to [352](#) Go to the field ADA - [876](#) Go to the field BDA - [199](#) Go to the field DDA - [1193](#)

396 You are standing next to the dwarf at DAA. You have the peach key. Hello, my name is Saduc Ironbrow . The dwarf says: "I would give you the keys white orange for your keys." If you accept it go to [479](#) . The dwarf says: "I would give you the keys peach coral for your keys." If you accept it go to [360](#) . The dwarf says: "I would give you the keys cream white for your keys." If you accept it go to [914](#) . The dwarf says: "I would give you the keys white rust for your keys." If you accept it go to [36](#) . You can look around [411](#)

397 You are standing in front of the door at CAB - You have the orange key. None of your keys opens the hatch in the floor. You can look around [608](#)

398 You are standing in front of the door at CCA - You have the brown key. None of your keys opens the west door. You can look around [1241](#)

399 You are standing in a small room. Apart from you there is a dwarf at ABB here. There is a door DBB in the southern wall. There are 3 hatches in the floor. BBB CAB CBB . You have the keys rust blue . What do you want to do? Talk with the dwarf - go to [924](#) Go to the field BBB - [64](#) Go to the field CAB - [247](#) Go to the field CBB - [1220](#) Go to the field DBB - [530](#)

400 You are standing in front of the door at ACB - You have the cream key. None of your keys opens the hatch in the floor. You can look around [422](#)

401 You are standing in front of the door at DCA - You have the keys violet black . You can open the door with the violet key and go south [301](#) None of your keys opens the hatch in the ceiling. You can look around [309](#)

402 You are standing next to the dwarf at ACA. You have the keys peach rust . Hello, my name is Yubrumir Merrygut . The dwarf says: "I would give you the keys black brown for your keys." If you accept it go to [859](#) . The dwarf says: "I would give you the keys white olive for your keys." If you accept it go to [465](#) . The dwarf says: "I would give you the keys coral blue for your keys." If you accept it go to [1074](#) . The dwarf says: "I would give you the keys black peach for your keys." If you accept it go to [1073](#) . The dwarf says: "I would give you the white key for your keys." If you accept it go to [1100](#) . The dwarf says: "I would give you the keys brown blue for your keys." If you accept it go to [965](#) . The dwarf says: "I would give you the keys peach blue for your keys." If you accept it go to [511](#) . The dwarf says: "I would give you the keys cream blue for your keys." If you accept it go to [99](#) . The dwarf says: "I would give you the keys cream black for your keys." If you accept it go to [717](#) . The dwarf says: "I would give you the keys white orange for your keys." If you accept it go to [636](#) . The dwarf says: "I would give you the keys cream coral for your keys." If you accept it go to [829](#) . The dwarf says: "I would give you the keys black olive for your keys." If you accept it go to [753](#) . The dwarf says: "I would give you the keys violet rust for your keys." If you accept it go to [995](#) . The dwarf says: "I would give you the keys violet white for your keys." If you accept it go to [693](#) . You can look around [970](#)

403 You are standing in front of the door at CCA - You have the keys violet olive . None of your keys opens the west door. You can look around [223](#)

404 You are standing in front of the door at DCA - You have the keys black gray . None of your keys opens the south door. You can open the hatch with the gray key and ascend to the upper level [527](#) You can look around [515](#)

405 You are standing in a small room. Apart from you there is a dwarf at ACA here. There is a door BBA in the northern wall. There is a door BCA in the eastern wall. There is a door BCA in the southern wall. There are 2 hatches in the ceiling. ACA BBA . You have the keys black coral . What do you want to do? Talk with the dwarf - go to [601](#) Go to the field ACA - [964](#) Go to the field BBA - [366](#) Go to the field BCA - [700](#)

406 You are standing in a small room. Apart from you there is a dwarf at ABB here. There is a door DBB in the southern wall. There are 3 hatches in the floor. BBB CAB CBB . You have the keys black peach . What do you want to do? Talk with the dwarf - go to [932](#) Go to the field BBB - [593](#) Go to the field CAB - [609](#) Go to the field CBB - [799](#) Go to the field DBB - [325](#)

407 You are standing in front of the door at BAA - You have the peach key. None of your keys opens the south door. You can look around [411](#)

408 You are standing in front of the door at DCB - You have the keys cream gray . None of your keys opens the north door. You can open the hatch with the gray key and descend to the lower level [54](#) You can look around [259](#)

409 You are standing in front of the door at CBA - You have the keys violet white . None of your keys opens the north door. None of your keys opens the hatch in the ceiling. You can look around [606](#)

410 You are standing in front of the door at BBA - You have the keys gray blue . None of your keys opens the north door. You can open the hatch with the blue key and ascend to the upper level [509](#) You can look around [864](#)

411 You are standing in a corridor leading from east to west. Apart from you there is a dwarf at DAA here. There are 2 door in the southern wall. BAA CAA . There is a hatch CAA in the ceiling. You have the peach key. What do you want to do? Talk with the dwarf - go to [396](#) Go to the field BAA - [407](#) Go to the field CAA - [752](#)

412 You are standing in front of the door at CBB - You have the keys peach coral . None of your keys opens the hatch in the floor. You can look around [1123](#)

413 You are standing in front of the door at ADB - You have the keys violet rust . None of your keys opens the hatch in the floor. You can look around [306](#)

414 You are standing in front of the door at CAA - You have the keys black white . None of your keys opens the south door. None of your keys opens the hatch in the ceiling. You can look around [547](#)

415 You are standing in a small room. Apart from you there is a dwarf at DBA here. There is a door CBA in the northern wall. There is a door DCA in the southern wall. There is a door CCA in the western wall. There are 2 hatches in the ceiling. CBA DCA . You have the keys cream violet . What do you want to do? Talk with the dwarf - go to [510](#) Go to the field CBA - [1107](#) Go to the field CCA - [356](#) Go to the field DCA - [158](#)

416 You are standing in a corridor leading from east to west. Apart from you there is a dwarf

at DAA here. There are 2 doors in the southern wall. BAA CAA . There is a hatch CAA in the ceiling. You have the keys brown orange . What do you want to do? Talk with the dwarf - go to [599](#) Go to the field BAA - [1231](#) Go to the field CAA - [938](#)

417 You are standing in front of the door at CBA - You have the keys black coral . None of your keys opens the north door. None of your keys opens the hatch in the ceiling. You can look around [57](#)

418 You are standing in front of the door at BBB - You have the keys black olive . None of your keys opens the hatch in the floor. You can look around [1122](#)

419 You are standing in front of the door at DBB - You have the keys cream peach . None of your keys opens the south door. You can look around [1010](#)

420 You are standing next to the dwarf at ABB. You have the blue key. Hello, my name is Rukhon Copperbrewer . The dwarf says: "I would give you the keys gray blue for your keys." If you accept it go to [16](#) . You can look around [1257](#)

421 You are standing in front of the door at ACB - You have the keys white rust . You can open the hatch with the rust key and descend to the lower level [305](#) You can look around [1162](#)

422 You are standing in a small room. Apart from you there is a dwarf at ACB here. There is a door DCB in the northern wall. There are 3 hatches in the floor. ACB ADB DCB . You have the cream key. What do you want to do? Talk with the dwarf - go to [873](#) Go to the field ACB - [400](#) Go to the field ADB - [663](#) Go to the field DCB - [692](#)

423 You are standing in a small room. Apart from you there is a dwarf at ACB here. There is a door DCB in the northern wall. There are 3 hatches in the floor. ACB ADB DCB . You have the keys cream orange . What do you want to do? Talk with the dwarf - go to [854](#) Go to the field ACB - [974](#) Go to the field ADB - [131](#) Go to the field DCB - [24](#)

424 You are standing next to the dwarf at DBA. You have the keys black gray . Hello, my name is Gromdec Barrelblade . The dwarf says: "I would give you the keys violet white for your keys." If you accept it go to [328](#) . The dwarf says: "I would give you the keys cream violet for your keys." If you accept it go to [510](#) . You can look around [515](#)

425 You are standing in front of the door at CBB - You have the keys cream blue . None of your keys opens the hatch in the floor. You can look around [1248](#)

426 You are standing in front of the door at DCB - You have the keys white gray . None of your keys opens the north door. You can open the hatch with the gray key and descend to the lower level [677](#) You can look around [1001](#)

427 You are standing in front of the door at DBB - You have the keys cream olive . You can open the door with the olive key and go south [886](#) You can look around [1036](#)

428 You are standing in front of the door at ACB - You have the gray key. None of your keys opens the hatch in the floor. You can look around [978](#)

429 You are standing next to the dwarf at CDA. You have the keys violet white . Hello, my name is Ruvolin Windsunder . The dwarf says: "I would give you the keys violet blue for your keys." If you accept it go to [617](#) . The dwarf says: "I would give you the keys cream white for your keys." If you accept it go to [824](#) . The dwarf says: "I would give you the keys black gray for your keys." If you accept it go to [694](#) . The dwarf says: "I would give you the cream key for your keys." If you accept it go to [912](#) . You can look around [33](#)

430 You are standing in front of the door at DCA - You have the keys rust coral . None of your keys opens the south door. None of your keys opens the hatch in the ceiling. You can look around [1138](#)

431 You are standing in a small room. Apart from you there is a dwarf at ACB here. There is a door DCB in the northern wall. There are 3 hatches in the floor. ACB ADB DCB . You have the keys brown olive . What do you want to do? Talk with the dwarf - go to [1005](#) Go to the field ACB - [1184](#) Go to the field ADB - [1219](#) Go to the field DCB - [895](#)

432 You are standing in front of the door at CAA - You have the keys violet white . None of your keys opens the south door. None of your keys opens the hatch in the ceiling. You can look around [1093](#)

433 You are standing in a small room. Apart from you there is a dwarf at ABB here. There is a door DBB in the southern wall. There are 3 hatches in the floor. BBB CAB CBB . You have the keys brown peach . What do you want to do? Talk with the dwarf - go to [604](#) Go to the field BBB - [260](#) Go to the field CAB - [950](#) Go to the field CBB - [10](#) Go to the field DBB - [613](#)

434 You are standing in a small room. Apart from you there is a dwarf at ACA here. There is a door BBA in the northern wall. There is a door BCA in the eastern wall. There is a door BCA in the southern wall. There are 2 hatches in the ceiling. ACA BBA . You have the keys white olive . What do you want to do? Talk with the dwarf - go to [465](#) Go to the field ACA - [633](#) Go to the field BBA - [264](#) Go to the field BCA - [883](#)

435 You are standing next to the dwarf at ACA. You have the keys peach coral . Hello, my name is Yubrumir Merrygut . The dwarf says: "I would give you the blue key for your keys." If you accept it go to [132](#) . You can look around [501](#)

436 You are standing in front of the door at DDA - You have the keys cream olive . None of your keys opens the north door. You can look around [27](#)

437 You are standing in front of the door at ADB - You have the keys olive blue . None of your keys opens the hatch in the floor. You can look around [566](#)

438 You are standing in front of the door at ACB - You have the keys cream blue . None of your keys opens the hatch in the floor. You can look around [562](#)

439 You are standing in a corridor leading from east to west. Apart from you there is a dwarf at CDA here. There are 2 door in the northern wall. BDA DDA . There is a hatch ADA in the ceiling. You have the keys violet gray . What do you want to do? Talk with the dwarf - go to [922](#) Go to the field ADA - [66](#) Go to the field BDA - [529](#) Go to the field DDA - [638](#)

440 You are standing next to the dwarf at DBA. You have the keys black orange . Hello, my name is Gromdec Barrelblade . The dwarf does not accept any exchange. You can look around [769](#)

441 You are standing in front of the door at DDA - You have the keys cream gray . None of your keys opens the north door. You can look around [679](#)

442 You are standing in front of the door at BBB - You have the keys peach rust . None of your keys opens the hatch in the floor. You can look around [573](#)

443 You are standing in a small room. Apart from you there is a dwarf at ACA here. There is a door BBA in the northern wall. There is a door BCA in the eastern wall. There is a door BCA in the southern wall. There are 2 hatches in the ceiling. ACA BBA . You have the keys coral blue . What do you want to do? Talk with the dwarf - go to [1074](#) Go to the field ACA - [659](#) Go to the field BBA - [723](#) Go to the field BCA - [385](#)

444 You are standing in front of the door at ACB - You have the keys rust coral . You can open the hatch with the rust key and descend to the lower level [1225](#) You can look around [585](#)

445 You are standing in front of the door at CBB - You have the keys brown orange . You can open the hatch with the orange key and descend to the lower level [70](#) You can look around [215](#)

446 You are standing in front of the door at DBB - You have the keys peach blue . None of your keys opens the south door. You can look around [252](#)

447 You are standing in front of the door at CCA - You have the keys gray orange . None of your keys opens the west door. You can look around [526](#)

448 You are standing in front of the door at ACB - You have the rust key. You can open the hatch with the rust key and descend to the lower level [832](#) You can look around [534](#)

449 You are standing next to the dwarf at CDA. You have the keys cream violet . Hello, my name is Ruvolin Windsunder . The dwarf does not accept any exchange. You can look around [1252](#)

450 You are standing in front of the door at CAB - You have the keys peach gray . You can open the hatch with the peach key and descend to the lower level [1059](#) You can look around [1206](#)

451 You are standing in front of the door at ACA - You have the keys brown rust . You can open the hatch with the rust key and ascend to the upper level [875](#) You can look around [565](#)

452 You are standing in a corridor leading from east to west. Apart from you there is a dwarf at DAA here. There are 2 door in the southern wall. BAA CAA . There is a hatch CAA in the ceiling. You have the keys brown blue . What do you want to do? Talk with the dwarf - go to [365](#) Go to the field BAA - [703](#) Go to the field CAA - [481](#)

453 You are standing in front of the door at DCB - You have the keys cream white . None of your keys opens the north door. None of your keys opens the hatch in the floor. You can look around [358](#)

454 You are standing in front of the door at ADA - You have the keys black olive . None of your keys opens the hatch in the ceiling. You can look around [684](#)

455 You are standing in front of the door at BBA - You have the keys peach blue . None of your keys opens the north door. You can open the hatch with the blue key and ascend to the upper level [654](#) You can look around [87](#)

456 You are standing in front of the door at CAA - You have the keys peach rust . None of your keys opens the south door. You can open the hatch with the peach key and ascend to the upper level [170](#) You can look around [387](#)

457 You are standing in front of the door at ACA - You have the keys black brown . None of your keys opens the hatch in the ceiling. You can look around [224](#)

458 You are standing in front of the door at DBB - You have the keys peach rust . None of your keys opens the south door. You can look around [573](#)

459 You are standing in a small room. Apart from you there is a dwarf at DBA here. There is a door CBA in the northern wall. There is a door DCA in the southern wall. There is a door CCA in the western wall. There are 2 hatches in the ceiling. CBA DCA . You have the keys black brown . What do you want to do? Talk with the dwarf - go to [662](#) Go to the field CBA - [996](#) Go to the field CCA - [890](#) Go to the field DCA - [1169](#)

460 You are standing in front of the door at CBB - You have the keys black olive . None of your keys opens the hatch in the floor. You can look around [1122](#)

461 You are standing in front of the door at CBB - You have the keys gray blue . None of your keys opens the hatch in the floor. You can look around [187](#)

462 You are standing in front of the door at BCA - You have the keys black orange . None of your keys opens the east door. You can open the door with the black key and go south [554](#) You can look around [1149](#)

463 You are standing in a small room. Apart from you there is a dwarf at ACA here. There is a door BBA in the northern wall. There is a door BCA in the eastern wall. There is a door BCA in the southern wall. There are 2 hatches in the ceiling. ACA BBA . You have the keys cream blue . What do you want to do? Talk with the dwarf - go to [99](#) Go to the field ACA - [685](#) Go to the field BBA - [754](#) Go to the field BCA - [101](#)

464 You are standing in front of the door at DCA - You have the keys black orange . None of your keys opens the south door. None of your keys opens the hatch in the ceiling. You can look around [769](#)

465 You are standing next to the dwarf at ACA. You have the keys white olive . Hello, my name is Yubrumir Merrygut . The dwarf says: "I would give you the keys black brown for your

keys." If you accept it go to [859](#) . The dwarf says: "I would give you the keys coral blue for your keys." If you accept it go to [1074](#) . The dwarf says: "I would give you the keys black peach for your keys." If you accept it go to [1073](#) . The dwarf says: "I would give you the white key for your keys." If you accept it go to [1100](#) . The dwarf says: "I would give you the keys brown blue for your keys." If you accept it go to [965](#) . The dwarf says: "I would give you the keys peach blue for your keys." If you accept it go to [511](#) . The dwarf says: "I would give you the keys cream blue for your keys." If you accept it go to [99](#) . The dwarf says: "I would give you the keys cream black for your keys." If you accept it go to [717](#) . The dwarf says: "I would give you the keys white orange for your keys." If you accept it go to [636](#) . The dwarf says: "I would give you the keys cream coral for your keys." If you accept it go to [829](#) . The dwarf says: "I would give you the keys black olive for your keys." If you accept it go to [753](#) . The dwarf says: "I would give you the keys violet rust for your keys." If you accept it go to [995](#) . The dwarf says: "I would give you the keys violet white for your keys." If you accept it go to [693](#) . The dwarf says: "I would give you the keys peach rust for your keys." If you accept it go to [402](#) . You can look around [434](#)

466 You are standing in front of the door at DCA - You have the keys coral orange . None of your keys opens the south door. None of your keys opens the hatch in the ceiling. You can look around [321](#)

467 You are standing next to the dwarf at ACA. You have the keys violet blue . Hello, my name is Yubrumir Merrygut . The dwarf says: "I would give you the keys gray coral for your keys." If you accept it go to [620](#) . The dwarf says: "I would give you the keys black orange for your keys." If you accept it go to [256](#) . You can look around [891](#)

468 You are standing next to the dwarf at ABB. You have the keys peach rust . Hello, my name is Rukhon Copperbrewer . The dwarf says: "I would give you the keys brown olive for your keys." If you accept it go to [242](#) . The dwarf says: "I would give you the orange key for your keys." If you accept it go to [95](#) . The dwarf says: "I would give you the keys black orange for your keys." If you accept it go to [1139](#) . The dwarf says: "I would give you the keys black peach for your keys." If you accept it go to [932](#) . The dwarf says: "I would give you the keys violet olive for your keys." If you accept it go to [814](#) . The dwarf says: "I would give you the keys peach gray for your keys." If you accept it go to [204](#) . You can look around [573](#)

469 You are standing next to the dwarf at DBA. You have the keys brown coral . Hello, my name is Gromdec Barrelblade . The dwarf says: "I would give you the keys rust coral for your keys." If you accept it go to [182](#) . The dwarf says: "I would give you the keys violet orange for your keys." If you accept it go to [21](#) . You can look around [386](#)

470 You are standing in front of the door at ACB - You have the keys olive coral . None of your keys opens the hatch in the floor. You can look around [1233](#)

471 You are standing in front of the door at ACB - You have the keys peach olive . None of your keys opens the hatch in the floor. You can look around [1214](#)

472 You are standing in front of the door at CCA - You have the keys peach coral . You can open the door with the coral key and go west [239](#) You can look around [1034](#)

473 You are standing in a small room. Apart from you there is a dwarf at DBA here. There is a door CBA in the northern wall. There is a door DCA in the southern wall. There is a door

CCA in the western wall. There are 2 hatches in the ceiling. CBA DCA . You have the keys orange blue . What do you want to do? Talk with the dwarf - go to [1209](#) Go to the field CBA - [1](#) Go to the field CCA - [1145](#) Go to the field DCA - [1212](#)

474 You are standing in front of the door at ADB - You have the keys rust coral . None of your keys opens the hatch in the floor. You can look around [585](#)

475 You are standing in a small room. Apart from you there is a dwarf at ACA here. There is a door BBA in the northern wall. There is a door BCA in the eastern wall. There is a door BCA in the southern wall. There are 2 hatches in the ceiling. ACA BBA . You have the keys brown blue . What do you want to do? Talk with the dwarf - go to [965](#) Go to the field ACA - [999](#) Go to the field BBA - [826](#) Go to the field BCA - [231](#)

476 You are standing in front of the door at BBB - You have the keys cream blue . You can open the hatch with the blue key and descend to the lower level [754](#) You can look around [1248](#)

477 You are standing in front of the door at ADB - You have the keys cream rust . You can open the hatch with the cream key and descend to the lower level [71](#) You can look around [695](#)

478 You are standing in a small room. Apart from you there is a dwarf at ABB here. There is a door DBB in the southern wall. There are 3 hatches in the floor. BBB CAB CBB . You have the keys coral orange . What do you want to do? Talk with the dwarf - go to [272](#) Go to the field BBB - [207](#) Go to the field CAB - [1228](#) Go to the field CBB - [1020](#) Go to the field DBB - [1003](#)

479 You are standing next to the dwarf at DAA. You have the keys white orange . Hello, my name is Saduc Ironbrow . The dwarf says: "I would give you the peach key for your keys." If you accept it go to [396](#) . The dwarf says: "I would give you the keys peach coral for your keys." If you accept it go to [360](#) . The dwarf says: "I would give you the keys cream white for your keys." If you accept it go to [914](#) . The dwarf says: "I would give you the keys white rust for your keys." If you accept it go to [36](#) . You can look around [178](#)

480 You are standing in front of the door at BBB - You have the keys cream olive . None of your keys opens the hatch in the floor. You can look around [1036](#)

481 You are standing in front of the door at CAA - You have the keys brown blue . You can open the door with the brown key and go south [160](#) None of your keys opens the hatch in the ceiling. You can look around [452](#)

482 You are standing in front of the door at CAB - You have the keys white peach . You can open the hatch with the peach key and descend to the lower level [326](#) You can look around [525](#)

483 You are standing in front of the door at DCB - You have the keys cream blue . None of your keys opens the north door. None of your keys opens the hatch in the floor. You can look around [562](#)

484 You are standing in front of the door at ACA - You have the keys peach blue . None

of your keys opens the hatch in the ceiling. You can look around [87](#)

485 You are standing in front of the door at ACA - You have the keys black peach . None of your keys opens the hatch in the ceiling. You can look around [699](#)

486 You are standing in front of the door at CBA - You have the keys olive orange . None of your keys opens the north door. You can open the hatch with the orange key and ascend to the upper level [649](#) You can look around [903](#)

487 You are standing in front of the door at ACB - You have the keys gray coral . None of your keys opens the hatch in the floor. You can look around [367](#)

488 You are standing in front of the door at CBB - You have the keys cream orange . You can open the hatch with the orange key and descend to the lower level [1108](#) You can look around [558](#)

489 You are standing next to the dwarf at CDA. You have the keys cream coral . Hello, my name is Ruvolin Windsunder . The dwarf does not accept any exchange. You can look around [163](#)

490 You are standing next to the dwarf at CDA. You have the keys black blue . Hello, my name is Ruvolin Windsunder . The dwarf says: "I would give you the keys cream orange for your keys." If you accept it go to [504](#) . You can look around [828](#)

491 You are standing in front of the door at BCA - You have the keys cream white . None of your keys opens the east door. None of your keys opens the south door. You can look around [120](#)

492 You are standing in a small room. Apart from you there is a dwarf at DBA here. There is a door CBA in the northern wall. There is a door DCA in the southern wall. There is a door CCA in the western wall. There are 2 hatches in the ceiling. CBA DCA . You have the orange key. What do you want to do? Talk with the dwarf - go to [319](#) Go to the field CBA - [728](#) Go to the field CCA - [296](#) Go to the field DCA - [1110](#)

493 You are standing next to the dwarf at ACA. You have the rust key. Hello, my name is Yubrumir Merrygut . The dwarf says: "I would give you the keys cream white for your keys." If you accept it go to [936](#) . The dwarf says: "I would give you the keys gray rust for your keys." If you accept it go to [125](#) . The dwarf says: "I would give you the keys black blue for your keys." If you accept it go to [1050](#) . You can look around [710](#)

494 You are standing in front of the door at BAA - You have the keys cream brown . None of your keys opens the south door. You can look around [1089](#)

495 You are standing in front of the door at CBA - You have the keys violet peach . None of your keys opens the north door. None of your keys opens the hatch in the ceiling. You can look around [711](#)

496 You are standing in a small room. Apart from you there is a dwarf at ACB here. There is a door DCB in the northern wall. There are 3 hatches in the floor. ACB ADB DCB . You have the keys black rust . What do you want to do? Talk with the dwarf - go to [780](#) Go to the field

ACB - [77](#) Go to the field ADB - [118](#) Go to the field DCB - [626](#)

497 You are standing in front of the door at ACA - You have the keys rust blue . You can open the hatch with the rust key and ascend to the upper level [322](#) You can look around [41](#)

498 You are standing in front of the door at CBB - You have the keys rust olive . None of your keys opens the hatch in the floor. You can look around [923](#)

499 You are standing next to the dwarf at ACB. You have the keys white gray . Hello, my name is Destrumri Beastbeard . The dwarf says: "I would give you the keys cream olive for your keys." If you accept it go to [1175](#) . The dwarf says: "I would give you the keys cream peach for your keys." If you accept it go to [1004](#) . You can look around [1001](#)

500 You are standing in front of the door at ADB - You have the keys white rust . None of your keys opens the hatch in the floor. You can look around [1162](#)

501 You are standing in a small room. Apart from you there is a dwarf at ACA here. There is a door BBA in the northern wall. There is a door BCA in the eastern wall. There is a door BCA in the southern wall. There are 2 hatches in the ceiling. ACA BBA . You have the keys peach coral . What do you want to do? Talk with the dwarf - go to [435](#) Go to the field ACA - [959](#) Go to the field BBA - [219](#) Go to the field BCA - [239](#)

502 You are standing next to the dwarf at DBA. You have the keys violet blue . Hello, my name is Gromdec Barrelblade . The dwarf does not accept any exchange. You can look around [796](#)

503 You are standing in front of the door at DCB - You have the keys violet olive . You can open the door with the olive key and go north [902](#) None of your keys opens the hatch in the floor. You can look around [1194](#)

504 You are standing next to the dwarf at CDA. You have the keys cream orange . Hello, my name is Ruvolin Windsunder . The dwarf says: "I would give you the keys black blue for your keys." If you accept it go to [490](#) . You can look around [785](#)

505 You are standing in front of the door at DCA - You have the keys gray rust . None of your keys opens the south door. You can open the hatch with the gray key and ascend to the upper level [165](#) You can look around [200](#)

506 You are standing next to the dwarf at ABB. You have the keys cream orange . Hello, my name is Rukhon Copperbrewer . The dwarf does not accept any exchange. You can look around [558](#)

507 You are standing in front of the door at CAB - You have the keys peach olive . You can open the hatch with the peach key and descend to the lower level [852](#) You can look around [771](#)

508 You are standing in front of the door at ADB - You have the keys peach olive . None of your keys opens the hatch in the floor. You can look around [1214](#)

509 You are standing in front of the door at BBB - You have the keys gray blue . You can open the hatch with the blue key and descend to the lower level [410](#) You can look around [187](#)

510 You are standing next to the dwarf at DBA. You have the keys cream violet . Hello, my name is Gromdec Barrelblade . The dwarf says: "I would give you the keys violet white for your keys." If you accept it go to [328](#) . The dwarf says: "I would give you the keys black gray for your keys." If you accept it go to [424](#) . You can look around [415](#)

511 You are standing next to the dwarf at ACA. You have the keys peach blue . Hello, my name is Yubrumir Merrygut . The dwarf says: "I would give you the keys black brown for your keys." If you accept it go to [859](#) . The dwarf says: "I would give you the keys white olive for your keys." If you accept it go to [465](#) . The dwarf says: "I would give you the keys coral blue for your keys." If you accept it go to [1074](#) . The dwarf says: "I would give you the keys black peach for your keys." If you accept it go to [1073](#) . The dwarf says: "I would give you the white key for your keys." If you accept it go to [1100](#) . The dwarf says: "I would give you the keys brown blue for your keys." If you accept it go to [965](#) . The dwarf says: "I would give you the keys cream blue for your keys." If you accept it go to [99](#) . The dwarf says: "I would give you the keys cream black for your keys." If you accept it go to [717](#) . The dwarf says: "I would give you the keys white orange for your keys." If you accept it go to [636](#) . The dwarf says: "I would give you the keys cream coral for your keys." If you accept it go to [829](#) . The dwarf says: "I would give you the keys black olive for your keys." If you accept it go to [753](#) . The dwarf says: "I would give you the keys violet rust for your keys." If you accept it go to [995](#) . The dwarf says: "I would give you the keys violet white for your keys." If you accept it go to [693](#) . The dwarf says: "I would give you the keys peach rust for your keys." If you accept it go to [402](#) . You can look around [87](#)

512 You are standing in front of the door at CAA - You have the keys brown white . You can open the door with the brown key and go south [293](#) None of your keys opens the hatch in the ceiling. You can look around [1255](#)

513 You are standing in front of the door at CAA - You have the brown key. You can open the door with the brown key and go south [1250](#) None of your keys opens the hatch in the ceiling. You can look around [248](#)

514 You are standing next to the dwarf at DAA. You have the keys peach olive . Hello, my name is Saduc Ironbrow . The dwarf does not accept any exchange. You can look around [1259](#)

515 You are standing in a small room. Apart from you there is a dwarf at DBA here. There is a door CBA in the northern wall. There is a door DCA in the southern wall. There is a door CCA in the western wall. There are 2 hatches in the ceiling. CBA DCA . You have the keys black gray . What do you want to do? Talk with the dwarf - go to [424](#) Go to the field CBA - [821](#) Go to the field CCA - [320](#) Go to the field DCA - [404](#)

516 You are standing in front of the door at ADA - You have the keys cream violet . You can open the hatch with the cream key and ascend to the upper level [335](#) You can look around [1252](#)

517 You are standing in front of the door at BCA - You have the keys white orange . None of your keys opens the east door. None of your keys opens the south door. You can look around [188](#)

518 You are standing in front of the door at BBA - You have the keys brown rust . None of your keys opens the north door. None of your keys opens the hatch in the ceiling. You can look around [565](#)

519 You are standing next to the dwarf at ACB. You have the keys gray blue . Hello, my name is Destrumri Beastbeard . The dwarf does not accept any exchange. You can look around [109](#)

520 You are standing in front of the door at ACA - You have the keys brown white . None of your keys opens the hatch in the ceiling. You can look around [81](#)

521 You are standing in front of the door at CAB - You have the keys gray orange . None of your keys opens the hatch in the floor. You can look around [719](#)

522 You are standing in front of the door at ACA - You have the keys peach rust . You can open the hatch with the rust key and ascend to the upper level [166](#) You can look around [970](#)

523 You are standing next to the dwarf at ACA. You have the keys brown white . Hello, my name is Yubrumir Merrygut . The dwarf says: "I would give you the keys black rust for your keys." If you accept it go to [162](#) . The dwarf says: "I would give you the keys brown coral for your keys." If you accept it go to [1200](#) . You can look around [81](#)

524 You are standing in a small room.Apart from you there is a dwarf at DBA here.There is a door CBA in the northern wall.There is a door DCA in the southern wall.There is a door CCA in the western wall.There are 2 hatches in the ceiling.CBA DCA . You have the keys brown olive . What do you want to do? Talk with the dwarf - go to [643](#) Go to the field CBA - [144](#) Go to the field CCA - [174](#) Go to the field DCA - [314](#)

525 You are standing in a small room.Apart from you there is a dwarf at ABB here.There is a door DBB in the southern wall.There are 3 hatches in the floor.BBB CAB CBB . You have the keys white peach . What do you want to do? Talk with the dwarf - go to [581](#) Go to the field BBB - [611](#) Go to the field CAB - [482](#) Go to the field CBB - [861](#) Go to the field DBB - [74](#)

526 You are standing in a small room.Apart from you there is a dwarf at DBA here.There is a door CBA in the northern wall.There is a door DCA in the southern wall.There is a door CCA in the western wall.There are 2 hatches in the ceiling.CBA DCA . You have the keys gray orange . What do you want to do? Talk with the dwarf - go to [266](#) Go to the field CBA - [1113](#) Go to the field CCA - [447](#) Go to the field DCA - [40](#)

527 You are standing in front of the door at DCB - You have the keys black gray . None of your keys opens the north door. You can open the hatch with the gray key and descend to the lower level [404](#) You can look around [764](#)

528 You are standing in front of the door at CAA - You have the keys cream brown . You can open the door with the brown key and go south [261](#) None of your keys opens the hatch in the ceiling. You can look around [1089](#)

529 You are standing in front of the door at BDA - You have the keys violet gray . None of your keys opens the north door. You can look around [439](#)

530 You are standing in front of the door at DBB - You have the keys rust blue . None of your keys opens the south door. You can look around [399](#)

531 You are standing in front of the door at BDA - You have the keys violet olive . None of your keys opens the north door. You can look around [706](#)

532 You are standing in front of the door at ACA - You have the keys cream black . None of your keys opens the hatch in the ceiling. You can look around [359](#)

533 You are standing in front of the door at DDA - You have the keys cream black . None of your keys opens the north door. You can look around [134](#)

534 You are standing in a small room.Apart from you there is a dwarf at ACB here.There is a door DCB in the northern wall.There are 3 hatches in the floor.ACB ADB DCB . You have the rust key. What do you want to do? Talk with the dwarf - go to [1258](#) Go to the field ACB - [448](#) Go to the field ADB - [1103](#) Go to the field DCB - [538](#)

535 You are standing in a small room.Apart from you there is a dwarf at ABB here.There is a door DBB in the southern wall.There are 3 hatches in the floor.BBB CAB CBB . You have the olive key. What do you want to do? Talk with the dwarf - go to [254](#) Go to the field BBB - [1000](#) Go to the field CAB - [1180](#) Go to the field CBB - [333](#) Go to the field DBB - [1131](#)

536 You are standing in front of the door at CAB - You have the keys gray blue . None of your keys opens the hatch in the floor. You can look around [187](#)

537 You are standing next to the dwarf at ABB. You have the keys peach coral . Hello, my name is Rukhon Copperbrewer . The dwarf does not accept any exchange. You can look around [1123](#)

538 You are standing in front of the door at DCB - You have the rust key. None of your keys opens the north door. None of your keys opens the hatch in the floor. You can look around [534](#)

539 You are standing in a small room.Apart from you there is a dwarf at ACB here.There is a door DCB in the northern wall.There are 3 hatches in the floor.ACB ADB DCB . You have the keys brown rust . What do you want to do? Talk with the dwarf - go to [97](#) Go to the field ACB - [875](#) Go to the field ADB - [747](#) Go to the field DCB - [344](#)

540 You are standing in front of the door at DDA - You have the keys black rust . None of your keys opens the north door. You can look around [776](#)

541 You are standing in front of the door at DCA - You have the keys violet blue . You can open the door with the violet key and go south [1128](#) None of your keys opens the hatch in the ceiling. You can look around [796](#)

542 You are standing in front of the door at ACA - You have the keys violet coral . None of your keys opens the hatch in the ceiling. You can look around [269](#)

543 You are standing in front of the door at CBA - You have the keys violet coral . None of your keys opens the north door. None of your keys opens the hatch in the ceiling. You can look around [348](#)

544 You are standing in front of the door at ACA - You have the keys violet white . None of your keys opens the hatch in the ceiling. You can look around [1218](#)

545 You are standing next to the dwarf at CDA. You have the keys black rust . Hello, my name is Ruvolin Windsunder . The dwarf does not accept any exchange. You can look around [776](#)

546 You are standing in front of the door at BBA - You have the keys black white . You can open the door with the white key and go north [966](#) None of your keys opens the hatch in the ceiling. You can look around [30](#)

547 You are standing in a corridor leading from east to west. Apart from you there is a dwarf at DAA here. There are 2 door in the southern wall. BAA CAA . There is a hatch CAA in the ceiling. You have the keys black white . What do you want to do? Talk with the dwarf - go to [130](#) Go to the field BAA - [966](#) Go to the field CAA - [414](#)

548 You are standing in front of the door at BBA - You have the keys olive coral . None of your keys opens the north door. None of your keys opens the hatch in the ceiling. You can look around [338](#)

549 You are standing next to the dwarf at DBA. You have the keys peach coral . Hello, my name is Gromdec Barrelblade . The dwarf says: "I would give you the keys cream orange for your keys." If you accept it go to [847](#) . The dwarf says: "I would give you the keys gray blue for your keys." If you accept it go to [929](#) . The dwarf says: "I would give you the brown key for your keys." If you accept it go to [597](#) . The dwarf says: "I would give you the keys violet peach for your keys." If you accept it go to [775](#) . You can look around [1034](#)

550 You are standing in front of the door at BAA - You have the keys brown peach . None of your keys opens the south door. You can look around [1198](#)

551 You are standing in front of the door at DDA - You have the keys black gray . None of your keys opens the north door. You can look around [716](#)

552 You are standing in front of the door at ADB - You have the keys cream white . You can open the hatch with the cream key and descend to the lower level [898](#) You can look around [358](#)

553 You are standing in front of the door at CAB - You have the keys peach orange . You can open the hatch with the peach key and descend to the lower level [971](#) You can look around [1016](#)

554 You are standing in front of the door at BDA - You have the keys black orange . You can open the door with the black key and go north [462](#) You can look around [615](#)

555 You are standing in front of the door at CBA - You have the keys coral orange . None

of your keys opens the north door. You can open the hatch with the orange key and ascend to the upper level [1020](#) You can look around [321](#)

556 You are standing in front of the door at BCA - You have the keys gray coral . You can open the door with the coral key and go east [595](#) None of your keys opens the south door. You can look around [575](#)

557 You are standing in front of the door at ACB - You have the keys cream coral . None of your keys opens the hatch in the floor. You can look around [238](#)

558 You are standing in a small room.Apart from you there is a dwarf at ABB here.There is a door DBB in the southern wall.There are 3 hatches in the floor.BBB CAB CBB . You have the keys cream orange . What do you want to do? Talk with the dwarf - go to [506](#) Go to the field BBB - [1015](#) Go to the field CAB - [1195](#) Go to the field CBB - [488](#) Go to the field DBB - [931](#)

559 You are standing in front of the door at BBA - You have the keys coral orange . None of your keys opens the north door. None of your keys opens the hatch in the ceiling. You can look around [1026](#)

560 You are standing in front of the door at BCA - You have the keys black gray . None of your keys opens the east door. You can open the door with the black key and go south [1102](#) You can look around [313](#)

561 You are standing in front of the door at DCB - You have the keys cream violet . None of your keys opens the north door. None of your keys opens the hatch in the floor. You can look around [122](#)

562 You are standing in a small room.Apart from you there is a dwarf at ACB here.There is a door DCB in the northern wall.There are 3 hatches in the floor.ACB ADB DCB . You have the keys cream blue . What do you want to do? Talk with the dwarf - go to [793](#) Go to the field ACB - [438](#) Go to the field ADB - [364](#) Go to the field DCB - [483](#)

563 You are standing in a small room.Apart from you there is a dwarf at ACB here.There is a door DCB in the northern wall.There are 3 hatches in the floor.ACB ADB DCB . You have the keys black olive . What do you want to do? Talk with the dwarf - go to [784](#) Go to the field ACB - [1008](#) Go to the field ADB - [1242](#) Go to the field DCB - [1019](#)

564 You are standing in front of the door at ADA - You have the keys cream orange . You can open the hatch with the cream key and ascend to the upper level [131](#) You can look around [785](#)

565 You are standing in a small room.Apart from you there is a dwarf at ACA here.There is a door BBA in the northern wall.There is a door BCA in the eastern wall.There is a door BCA in the southern wall.There are 2 hatches in the ceiling.ACA BBA . You have the keys brown rust . What do you want to do? Talk with the dwarf - go to [304](#) Go to the field ACA - [451](#) Go to the field BBA - [518](#) Go to the field BCA - [1114](#)

566 You are standing in a small room.Apart from you there is a dwarf at ACB here.There

is a door DCB in the northern wall. There are 3 hatches in the floor. ACB ADB DCB . You have the keys olive blue . What do you want to do? Talk with the dwarf - go to [1171](#) Go to the field ACB - [681](#) Go to the field ADB - [437](#) Go to the field DCB - [671](#)

567 You are standing in front of the door at DCB - You have the keys gray coral . None of your keys opens the north door. You can open the hatch with the gray key and descend to the lower level [80](#) You can look around [367](#)

568 You are standing in front of the door at BAA - You have the brown key. None of your keys opens the south door. You can look around [248](#)

569 You are standing in a small room. Apart from you there is a dwarf at ACA here. There is a door BBA in the northern wall. There is a door BCA in the eastern wall. There is a door BCA in the southern wall. There are 2 hatches in the ceiling. ACA BBA . You have the keys violet rust . What do you want to do? Talk with the dwarf - go to [995](#) Go to the field ACA - [133](#) Go to the field BBA - [870](#) Go to the field BCA - [201](#)

570 You are standing in front of the door at CCA - You have the keys brown coral . You can open the door with the coral key and go west [848](#) You can look around [386](#)

571 You are standing in front of the door at CCA - You have the keys violet white . None of your keys opens the west door. You can look around [606](#)

572 You are standing in front of the door at CCA - You have the keys gray blue . None of your keys opens the west door. You can look around [605](#)

573 You are standing in a small room. Apart from you there is a dwarf at ABB here. There is a door DBB in the southern wall. There are 3 hatches in the floor. BBB CAB CBB . You have the keys peach rust . What do you want to do? Talk with the dwarf - go to [468](#) Go to the field BBB - [442](#) Go to the field CAB - [170](#) Go to the field CBB - [1040](#) Go to the field DBB - [458](#)

574 You are standing in front of the door at BBA - You have the keys orange blue . None of your keys opens the north door. You can open the hatch with the blue key and ascend to the upper level [804](#) You can look around [383](#)

575 You are standing in a small room. Apart from you there is a dwarf at ACA here. There is a door BBA in the northern wall. There is a door BCA in the eastern wall. There is a door BCA in the southern wall. There are 2 hatches in the ceiling. ACA BBA . You have the keys gray coral . What do you want to do? Talk with the dwarf - go to [620](#) Go to the field ACA - [757](#) Go to the field BBA - [1246](#) Go to the field BCA - [556](#)

576 You are standing in front of the door at DCB - You have the keys rust blue . None of your keys opens the north door. None of your keys opens the hatch in the floor. You can look around [1251](#)

577 You are standing in front of the door at DCB - You have the keys cream rust . None of your keys opens the north door. None of your keys opens the hatch in the floor. You can look around [695](#)

578 You are standing in front of the door at BBA - You have the keys violet white . You can open the door with the white key and go north [206](#) None of your keys opens the hatch in the ceiling. You can look around [1218](#)

579 You are standing in front of the door at CCA - You have the keys brown peach . None of your keys opens the west door. You can look around [657](#)

580 You are standing in front of the door at BDA - You have the keys violet blue . None of your keys opens the north door. You can look around [722](#)

581 You are standing next to the dwarf at ABB. You have the keys white peach . Hello, my name is Rukhon Copperbrewer . The dwarf says: "I would give you the keys gray olive for your keys." If you accept it go to [183](#) . The dwarf says: "I would give you the keys olive orange for your keys." If you accept it go to [944](#) . You can look around [525](#)

582 You are standing in front of the door at BBB - You have the peach key. None of your keys opens the hatch in the floor. You can look around [918](#)

583 You are standing in a small room.Apart from you there is a dwarf at DBA here.There is a door CBA in the northern wall.There is a door DCA in the southern wall.There is a door CCA in the western wall.There are 2 hatches in the ceiling.CBA DCA . You have the keys brown white . What do you want to do? Talk with the dwarf - go to [621](#) Go to the field CBA - [293](#) Go to the field CCA - [250](#) Go to the field DCA - [1018](#)

584 You are standing in front of the door at BDA - You have the black key. You can open the door with the black key and go north [60](#) You can look around [337](#)

585 You are standing in a small room.Apart from you there is a dwarf at ACB here.There is a door DCB in the northern wall.There are 3 hatches in the floor.ACB ADB DCB . You have the keys rust coral . What do you want to do? Talk with the dwarf - go to [980](#) Go to the field ACB - [444](#) Go to the field ADB - [474](#) Go to the field DCB - [975](#)

586 You are standing in a corridor leading from east to west.Apart from you there is a dwarf at DAA here.There are 2 door in the southern wall.BAA CAA . There is a hatch CAA in the ceiling. You have the keys black brown . What do you want to do? Talk with the dwarf - go to [1230](#) Go to the field BAA - [610](#) Go to the field CAA - [382](#)

587 You are standing in a small room.Apart from you there is a dwarf at ACA here.There is a door BBA in the northern wall.There is a door BCA in the eastern wall.There is a door BCA in the southern wall.There are 2 hatches in the ceiling.ACA BBA . You have the keys brown coral . What do you want to do? Talk with the dwarf - go to [1200](#) Go to the field ACA - [37](#) Go to the field BBA - [110](#) Go to the field BCA - [848](#)

588 You are standing in front of the door at CCA - You have the keys cream coral . You can open the door with the coral key and go west [1049](#) You can look around [240](#)

589 You are standing in front of the door at CBA - You have the keys white orange . None of your keys opens the north door. You can open the hatch with the orange key and ascend to the upper level [680](#) You can look around [334](#)

590 You are standing in front of the door at BCA - You have the keys peach rust . None of your keys opens the east door. None of your keys opens the south door. You can look around [970](#)

591 You are standing next to the dwarf at ACB. You have the keys olive coral . Hello, my name is Destrumri Beastbeard . The dwarf says: "I would give you the keys cream brown for your keys." If you accept it go to [687](#) . The dwarf says: "I would give you the keys rust orange for your keys." If you accept it go to [119](#) . The dwarf says: "I would give you the cream key for your keys." If you accept it go to [873](#) . The dwarf says: "I would give you the keys peach rust for your keys." If you accept it go to [46](#) . The dwarf says: "I would give you the keys black rust for your keys." If you accept it go to [780](#) . You can look around [1233](#)

592 You are standing next to the dwarf at ACB. You have the keys peach gray . Hello, my name is Destrumri Beastbeard . The dwarf says: "I would give you the keys cream coral for your keys." If you accept it go to [787](#) . You can look around [997](#)

593 You are standing in front of the door at BBB - You have the keys black peach . None of your keys opens the hatch in the floor. You can look around [406](#)

594 You are standing in front of the door at BBA - You have the keys white coral . You can open the door with the white key and go north [1229](#) None of your keys opens the hatch in the ceiling. You can look around [991](#)

595 You are standing in front of the door at CCA - You have the keys gray coral . You can open the door with the coral key and go west [556](#) You can look around [343](#)

596 You are standing in front of the door at DCA - You have the keys violet coral . You can open the door with the violet key and go south [49](#) None of your keys opens the hatch in the ceiling. You can look around [348](#)

597 You are standing next to the dwarf at DBA. You have the brown key. Hello, my name is Gromdec Barrelblade . The dwarf says: "I would give you the keys cream orange for your keys." If you accept it go to [847](#) . The dwarf says: "I would give you the keys gray blue for your keys." If you accept it go to [929](#) . The dwarf says: "I would give you the keys peach coral for your keys." If you accept it go to [549](#) . The dwarf says: "I would give you the keys violet peach for your keys." If you accept it go to [775](#) . You can look around [1241](#)

598 You are standing in a small room. Apart from you there is a dwarf at ACA here. There is a door BBA in the northern wall. There is a door BCA in the eastern wall. There is a door BCA in the southern wall. There are 2 hatches in the ceiling. ACA BBA . You have the keys black olive . What do you want to do? Talk with the dwarf - go to [753](#) Go to the field ACA - [1222](#) Go to the field BBA - [1012](#) Go to the field BCA - [211](#)

599 You are standing next to the dwarf at DAA. You have the keys brown orange . Hello, my name is Saduc Ironbrow . The dwarf says: "I would give you the keys violet white for your keys." If you accept it go to [1134](#) . The dwarf says: "I would give you the keys peach orange for your keys." If you accept it go to [819](#) . You can look around [416](#)

600 You are standing in front of the door at DCA - You have the keys violet white . You

can open the door with the violet key and go south [888](#) None of your keys opens the hatch in the ceiling. You can look around [606](#)

601 You are standing next to the dwarf at ACA. You have the keys black coral . Hello, my name is Yubrumir Merrygut . The dwarf does not accept any exchange. You can look around [405](#)

602 You are standing in front of the door at BCA - You have the keys black brown . None of your keys opens the east door. You can open the door with the black key and go south [802](#) You can look around [224](#)

603 You are standing next to the dwarf at CDA. You have the keys cream olive . Hello, my name is Ruvolin Windsunder . The dwarf does not accept any exchange. You can look around [27](#)

604 You are standing next to the dwarf at ABB. You have the keys brown peach . Hello, my name is Rukhon Copperbrewer . The dwarf says: "I would give you the keys peach olive for your keys." If you accept it go to [214](#) . You can look around [433](#)

605 You are standing in a small room.Apart from you there is a dwarf at DBA here.There is a door CBA in the northern wall.There is a door DCA in the southern wall.There is a door CCA in the western wall.There are 2 hatches in the ceiling.CBA DCA . You have the keys gray blue . What do you want to do? Talk with the dwarf - go to [929](#) Go to the field CBA - [872](#) Go to the field CCA - [572](#) Go to the field DCA - [993](#)

606 You are standing in a small room.Apart from you there is a dwarf at DBA here.There is a door CBA in the northern wall.There is a door DCA in the southern wall.There is a door CCA in the western wall.There are 2 hatches in the ceiling.CBA DCA . You have the keys violet white . What do you want to do? Talk with the dwarf - go to [328](#) Go to the field CBA - [409](#) Go to the field CCA - [571](#) Go to the field DCA - [600](#)

607 You are standing next to the dwarf at ABB. You have the keys coral blue . Hello, my name is Rukhon Copperbrewer . The dwarf does not accept any exchange. You can look around [391](#)

608 You are standing in a small room.Apart from you there is a dwarf at ABB here.There is a door DBB in the southern wall.There are 3 hatches in the floor.BBB CAB CBB . You have the orange key. What do you want to do? Talk with the dwarf - go to [95](#) Go to the field BBB - [140](#) Go to the field CAB - [397](#) Go to the field CBB - [138](#) Go to the field DBB - [941](#)

609 You are standing in front of the door at CAB - You have the keys black peach . You can open the hatch with the peach key and descend to the lower level [956](#) You can look around [406](#)

610 You are standing in front of the door at BAA - You have the keys black brown . None of your keys opens the south door. You can look around [586](#)

611 You are standing in front of the door at BBB - You have the keys white peach . None of your keys opens the hatch in the floor. You can look around [525](#)

612 You are standing next to the dwarf at ACA. You have the keys white rust . Hello, my name is Yubrumir Merrygut . The dwarf says: "I would give you the keys violet black for your keys." If you accept it go to [792](#) . You can look around [773](#)

613 You are standing in front of the door at DBB - You have the keys brown peach . None of your keys opens the south door. You can look around [433](#)

614 You are standing in front of the door at BAA - You have the keys white peach . You can open the door with the white key and go south [276](#) You can look around [1216](#)

615 You are standing in a corridor leading from east to west.Apart from you there is a dwarf at CDA here.There are 2 door in the northern wall.BDA DDA . There is a hatch ADA in the ceiling. You have the keys black orange . What do you want to do? Talk with the dwarf - go to [154](#) Go to the field ADA - [777](#) Go to the field BDA - [554](#) Go to the field DDA - [230](#)

616 You are standing in a small room.Apart from you there is a dwarf at DBA here.There is a door CBA in the northern wall.There is a door DCA in the southern wall.There is a door CCA in the western wall.There are 2 hatches in the ceiling.CBA DCA . You have the keys violet gray . What do you want to do? Talk with the dwarf - go to [1097](#) Go to the field CBA - [1061](#) Go to the field CCA - [1183](#) Go to the field DCA - [1167](#)

617 You are standing next to the dwarf at CDA. You have the keys violet blue . Hello, my name is Ruvolin Windsunder . The dwarf says: "I would give you the keys cream white for your keys." If you accept it go to [824](#) . The dwarf says: "I would give you the keys black gray for your keys." If you accept it go to [694](#) . The dwarf says: "I would give you the keys violet white for your keys." If you accept it go to [429](#) . The dwarf says: "I would give you the cream key for your keys." If you accept it go to [912](#) . You can look around [722](#)

618 You are standing in front of the door at BDA - You have the keys cream olive . None of your keys opens the north door. You can look around [27](#)

619 You are standing in front of the door at CBA - You have the keys gray coral . None of your keys opens the north door. None of your keys opens the hatch in the ceiling. You can look around [343](#)

620 You are standing next to the dwarf at ACA. You have the keys gray coral . Hello, my name is Yubrumir Merrygut . The dwarf says: "I would give you the keys violet blue for your keys." If you accept it go to [467](#) . The dwarf says: "I would give you the keys black orange for your keys." If you accept it go to [256](#) . You can look around [575](#)

621 You are standing next to the dwarf at DBA. You have the keys brown white . Hello, my name is Gromdec Barrelblade . The dwarf does not accept any exchange. You can look around [583](#)

622 You are standing in a small room.Apart from you there is a dwarf at DBA here.There is a door CBA in the northern wall.There is a door DCA in the southern wall.There is a door CCA in the western wall.There are 2 hatches in the ceiling.CBA DCA . You have the coral key. What do you want to do? Talk with the dwarf - go to [353](#) Go to the field CBA - [184](#) Go to the field CCA - [58](#) Go to the field DCA - [623](#)

623 You are standing in front of the door at DCA - You have the coral key. None of your keys opens the south door. None of your keys opens the hatch in the ceiling. You can look around [622](#)

624 You are standing in front of the door at CBA - You have the keys violet rust . None of your keys opens the north door. None of your keys opens the hatch in the ceiling. You can look around [865](#)

625 You are standing in a small room. Apart from you there is a dwarf at DBA here. There is a door CBA in the northern wall. There is a door DCA in the southern wall. There is a door CCA in the western wall. There are 2 hatches in the ceiling. CBA DCA . You have the keys violet orange . What do you want to do? Talk with the dwarf - go to [21](#) Go to the field CBA - [1056](#) Go to the field CCA - [124](#) Go to the field DCA - [967](#)

626 You are standing in front of the door at DCB - You have the keys black rust . None of your keys opens the north door. None of your keys opens the hatch in the floor. You can look around [496](#)

627 You are standing next to the dwarf at ACA. You have the coral key. Hello, my name is Yubrumir Merrygut . The dwarf does not accept any exchange. You can look around [65](#)

628 You are standing in a small room. Apart from you there is a dwarf at DBA here. There is a door CBA in the northern wall. There is a door DCA in the southern wall. There is a door CCA in the western wall. There are 2 hatches in the ceiling. CBA DCA . You have the keys peach orange . What do you want to do? Talk with the dwarf - go to [1030](#) Go to the field CBA - [1148](#) Go to the field CCA - [713](#) Go to the field DCA - [748](#)

629 You are standing next to the dwarf at ACB. You have the keys rust blue . Hello, my name is Destrumri Beastbeard . The dwarf does not accept any exchange. You can look around [1251](#)

630 You are standing next to the dwarf at ACB. You have the keys violet rust . Hello, my name is Destrumri Beastbeard . The dwarf does not accept any exchange. You can look around [306](#)

631 You are standing in front of the door at BCA - You have the keys black white . None of your keys opens the east door. You can open the door with the black key and go south [1146](#) You can look around [30](#)

632 You are standing in front of the door at CAA - You have the keys white olive . None of your keys opens the south door. None of your keys opens the hatch in the ceiling. You can look around [363](#)

633 You are standing in front of the door at ACA - You have the keys white olive . None of your keys opens the hatch in the ceiling. You can look around [434](#)

634 You are standing in front of the door at CCA - You have the keys cream gray . None of your keys opens the west door. You can look around [190](#)

635 You are standing in front of the door at CBA - You have the keys gray rust . None of your keys opens the north door. None of your keys opens the hatch in the ceiling. You can look around [200](#)

636 You are standing next to the dwarf at ACA. You have the keys white orange . Hello, my name is Yubrumir Merrygut . The dwarf says: "I would give you the keys black brown for your keys." If you accept it go to [859](#) . The dwarf says: "I would give you the keys white olive for your keys." If you accept it go to [465](#) . The dwarf says: "I would give you the keys coral blue for your keys." If you accept it go to [1074](#) . The dwarf says: "I would give you the keys black peach for your keys." If you accept it go to [1073](#) . The dwarf says: "I would give you the white key for your keys." If you accept it go to [1100](#) . The dwarf says: "I would give you the keys brown blue for your keys." If you accept it go to [965](#) . The dwarf says: "I would give you the keys peach blue for your keys." If you accept it go to [511](#) . The dwarf says: "I would give you the keys cream blue for your keys." If you accept it go to [99](#) . The dwarf says: "I would give you the keys cream black for your keys." If you accept it go to [717](#) . The dwarf says: "I would give you the keys cream coral for your keys." If you accept it go to [829](#) . The dwarf says: "I would give you the keys black olive for your keys." If you accept it go to [753](#) . The dwarf says: "I would give you the keys violet rust for your keys." If you accept it go to [995](#) . The dwarf says: "I would give you the keys violet white for your keys." If you accept it go to [693](#) . The dwarf says: "I would give you the keys peach rust for your keys." If you accept it go to [402](#) . You can look around [188](#)

637 You are standing in front of the door at ACA - You have the keys black orange . None of your keys opens the hatch in the ceiling. You can look around [1149](#)

638 You are standing in front of the door at DDA - You have the keys violet gray . You can open the door with the violet key and go north [1167](#) You can look around [439](#)

639 You are standing in front of the door at BCA - You have the keys cream rust . None of your keys opens the east door. None of your keys opens the south door. You can look around [1130](#)

640 You are standing in front of the door at DCB - You have the keys olive coral . You can open the door with the olive key and go north [151](#) None of your keys opens the hatch in the floor. You can look around [1233](#)

641 You are standing in front of the door at ACA - You have the keys gray blue . None of your keys opens the hatch in the ceiling. You can look around [864](#)

642 You are standing next to the dwarf at ABB. You have the keys olive blue . Hello, my name is Rukhon Copperbrewer . The dwarf does not accept any exchange. You can look around [317](#)

643 You are standing next to the dwarf at DBA. You have the keys brown olive . Hello, my name is Gromdec Barrelblade . The dwarf says: "I would give you the keys gray orange for your keys." If you accept it go to [266](#) . You can look around [524](#)

644 You are standing next to the dwarf at ACA. You have the keys black gray . Hello, my name is Yubrumir Merrygut . The dwarf says: "I would give you the keys brown rust for your

keys." If you accept it go to [304](#) . You can look around [313](#)

645 You are standing next to the dwarf at CDA. You have the violet key. Hello, my name is Ruvolin Windsunder . The dwarf does not accept any exchange. You can look around [927](#)

646 You are standing in a small room.Apart from you there is a dwarf at ACB here.There is a door DCB in the northern wall.There are 3 hatches in the floor.ACB ADB DCB . You have the keys peach rust . What do you want to do? Talk with the dwarf - go to [46](#) Go to the field ACB - [166](#) Go to the field ADB - [327](#) Go to the field DCB - [1164](#)

647 You are standing in front of the door at CBA - You have the keys violet olive . None of your keys opens the north door. None of your keys opens the hatch in the ceiling. You can look around [223](#)

648 You are standing in front of the door at DBB - You have the keys gray olive . You can open the door with the olive key and go south [1027](#) You can look around [727](#)

649 You are standing in front of the door at CBB - You have the keys olive orange . You can open the hatch with the orange key and descend to the lower level [486](#) You can look around [63](#)

650 You are standing in front of the door at BAA - You have the keys brown rust . None of your keys opens the south door. You can look around [988](#)

651 You are standing in front of the door at CBA - You have the keys black orange . None of your keys opens the north door. You can open the hatch with the orange key and ascend to the upper level [8](#) You can look around [769](#)

652 You are standing in front of the door at CBB - You have the keys orange blue . You can open the hatch with the orange key and descend to the lower level [1](#) You can look around [232](#)

653 You are standing next to the dwarf at ACB. You have the keys gray coral . Hello, my name is Destrumri Beastbeard . The dwarf does not accept any exchange. You can look around [367](#)

654 You are standing in front of the door at BBB - You have the keys peach blue . You can open the hatch with the blue key and descend to the lower level [455](#) You can look around [252](#)

655 You are standing in front of the door at ACA - You have the black key. None of your keys opens the hatch in the ceiling. You can look around [1117](#)

656 You are standing in front of the door at ACA - You have the keys black blue . None of your keys opens the hatch in the ceiling. You can look around [788](#)

657 You are standing in a small room.Apart from you there is a dwarf at DBA here.There is a door CBA in the northern wall.There is a door DCA in the southern wall.There is a door CCA in the western wall.There are 2 hatches in the ceiling.CBA DCA . You have the keys brown

peach . What do you want to do? Talk with the dwarf - go to [388](#) Go to the field CBA - [674](#) Go to the field CCA - [579](#) Go to the field DCA - [737](#)

658 You are standing in front of the door at ADB - You have the keys violet gray . None of your keys opens the hatch in the floor. You can look around [341](#)

659 You are standing in front of the door at ACA - You have the keys coral blue . None of your keys opens the hatch in the ceiling. You can look around [443](#)

660 You are standing in front of the door at CBA - You have the keys cream coral . None of your keys opens the north door. None of your keys opens the hatch in the ceiling. You can look around [240](#)

661 You are standing in front of the door at DDA - You have the keys black olive . None of your keys opens the north door. You can look around [684](#)

662 You are standing next to the dwarf at DBA. You have the keys black brown . Hello, my name is Gromdec Barrelblade . The dwarf says: "I would give you the orange key for your keys." If you accept it go to [319](#) . You can look around [459](#)

663 You are standing in front of the door at ADB - You have the cream key. You can open the hatch with the cream key and descend to the lower level [1106](#) You can look around [422](#)

664 You are standing in front of the door at CAB - You have the keys white blue . None of your keys opens the hatch in the floor. You can look around [939](#)

665 You are standing in front of the door at BBA - You have the keys white gray . You can open the door with the white key and go north [762](#) None of your keys opens the hatch in the ceiling. You can look around [373](#)

666 You are standing in front of the door at BBA - You have the white key. You can open the door with the white key and go north [982](#) None of your keys opens the hatch in the ceiling. You can look around [921](#)

667 You are standing in front of the door at DCA - You have the keys black coral . None of your keys opens the south door. None of your keys opens the hatch in the ceiling. You can look around [57](#)

668 You are standing in front of the door at CAB - You have the keys olive coral . None of your keys opens the hatch in the floor. You can look around [9](#)

669 You are standing in front of the door at ACB - You have the keys white gray . None of your keys opens the hatch in the floor. You can look around [1001](#)

670 You are standing next to the dwarf at ACB. You have the keys cream gray . Hello, my name is Destrumri Beastbeard . The dwarf says: "I would give you the keys black olive for your keys." If you accept it go to [784](#) . You can look around [259](#)

671 You are standing in front of the door at DCB - You have the keys olive blue . You can open

the door with the olive key and go north [851](#) None of your keys opens the hatch in the floor. You can look around [566](#)

672 You are standing next to the dwarf at ACB. You have the keys brown gray . Hello, my name is Destrumri Beastbeard . The dwarf says: "I would give you the keys rust olive for your keys." If you accept it go to [736](#) . The dwarf says: "I would give you the keys gray orange for your keys." If you accept it go to [88](#) . You can look around [682](#)

673 You are standing in a corridor leading from east to west.Apart from you there is a dwarf at CDA here.There are 2 door in the northern wall.BDA DDA . There is a hatch ADA in the ceiling. You have the keys violet rust . What do you want to do? Talk with the dwarf - go to [236](#) Go to the field ADA - [1154](#) Go to the field BDA - [709](#) Go to the field DDA - [1249](#)

674 You are standing in front of the door at CBA - You have the keys brown peach . You can open the door with the brown key and go north [715](#) None of your keys opens the hatch in the ceiling. You can look around [657](#)

675 You are standing next to the dwarf at DAA. You have the keys black peach . Hello, my name is Saduc Ironbrow . The dwarf does not accept any exchange. You can look around [761](#)

676 You are standing in front of the door at ACA - You have the keys cream white . None of your keys opens the hatch in the ceiling. You can look around [120](#)

677 You are standing in front of the door at DCA - You have the keys white gray . None of your keys opens the south door. You can open the hatch with the gray key and ascend to the upper level [426](#) You can look around [1028](#)

678 You are standing in front of the door at ADB - You have the keys cream black . You can open the hatch with the cream key and descend to the lower level [822](#) You can look around [1111](#)

679 You are standing in a corridor leading from east to west.Apart from you there is a dwarf at CDA here.There are 2 door in the northern wall.BDA DDA . There is a hatch ADA in the ceiling. You have the keys cream gray . What do you want to do? Talk with the dwarf - go to [1023](#) Go to the field ADA - [202](#) Go to the field BDA - [234](#) Go to the field DDA - [441](#)

680 You are standing in front of the door at CBB - You have the keys white orange . You can open the hatch with the orange key and descend to the lower level [589](#) You can look around [1104](#)

681 You are standing in front of the door at ACB - You have the keys olive blue . None of your keys opens the hatch in the floor. You can look around [566](#)

682 You are standing in a small room.Apart from you there is a dwarf at ACB here.There is a door DCB in the northern wall.There are 3 hatches in the floor.ACB ADB DCB . You have the keys brown gray . What do you want to do? Talk with the dwarf - go to [672](#) Go to the field ACB - [1143](#) Go to the field ADB - [884](#) Go to the field DCB - [721](#)

683 You are standing in front of the door at DBB - You have the keys rust orange . None of your keys opens the south door. You can look around [209](#)

684 You are standing in a corridor leading from east to west. Apart from you there is a dwarf at CDA here. There are 2 door in the northern wall. BDA DDA . There is a hatch ADA in the ceiling. You have the keys black olive . What do you want to do? Talk with the dwarf - go to [291](#) Go to the field ADA - [454](#) Go to the field BDA - [246](#) Go to the field DDA - [661](#)

685 You are standing in front of the door at ACA - You have the keys cream blue . None of your keys opens the hatch in the ceiling. You can look around [463](#)

686 You are standing in front of the door at ACA - You have the keys coral orange . None of your keys opens the hatch in the ceiling. You can look around [1026](#)

687 You are standing next to the dwarf at ACB. You have the keys cream brown . Hello, my name is Destrumri Beastbeard . The dwarf says: "I would give you the keys olive coral for your keys." If you accept it go to [591](#) . The dwarf says: "I would give you the keys rust orange for your keys." If you accept it go to [119](#) . The dwarf says: "I would give you the cream key for your keys." If you accept it go to [873](#) . The dwarf says: "I would give you the keys peach rust for your keys." If you accept it go to [46](#) . The dwarf says: "I would give you the keys black rust for your keys." If you accept it go to [780](#) . You can look around [18](#)

688 You are standing in front of the door at BBA - You have the rust key. None of your keys opens the north door. None of your keys opens the hatch in the ceiling. You can look around [710](#)

689 You are standing in front of the door at BCA - You have the keys rust olive . None of your keys opens the east door. None of your keys opens the south door. You can look around [1158](#)

690 You are standing next to the dwarf at ABB. You have the keys peach orange . Hello, my name is Rukhon Copperbrewer . The dwarf does not accept any exchange. You can look around [1016](#)

691 You are standing in front of the door at ACA - You have the keys white orange . None of your keys opens the hatch in the ceiling. You can look around [188](#)

692 You are standing in front of the door at DCB - You have the cream key. None of your keys opens the north door. None of your keys opens the hatch in the floor. You can look around [422](#)

693 You are standing next to the dwarf at ACA. You have the keys violet white . Hello, my name is Yubrumir Merrygut . The dwarf says: "I would give you the keys black brown for your keys." If you accept it go to [859](#) . The dwarf says: "I would give you the keys white olive for your keys." If you accept it go to [465](#) . The dwarf says: "I would give you the keys coral blue for your keys." If you accept it go to [1074](#) . The dwarf says: "I would give you the keys black peach for your keys." If you accept it go to [1073](#) . The dwarf says: "I would give you the white key for your keys." If you accept it go to [1100](#) . The dwarf says: "I would give you the keys brown blue for your keys." If you accept it go to [965](#) . The dwarf says: "I would give you the keys peach blue for your keys." If you accept it go to [511](#) . The dwarf says: "I would give you the keys

cream blue for your keys." If you accept it go to [99](#) . The dwarf says: "I would give you the keys cream black for your keys." If you accept it go to [717](#) . The dwarf says: "I would give you the keys white orange for your keys." If you accept it go to [636](#) . The dwarf says: "I would give you the keys cream coral for your keys." If you accept it go to [829](#) . The dwarf says: "I would give you the keys black olive for your keys." If you accept it go to [753](#) . The dwarf says: "I would give you the keys violet rust for your keys." If you accept it go to [995](#) . The dwarf says: "I would give you the keys peach rust for your keys." If you accept it go to [402](#) . You can look around [1218](#)

694 You are standing next to the dwarf at CDA. You have the keys black gray . Hello, my name is Ruvolin Windsunder . The dwarf says: "I would give you the keys violet blue for your keys." If you accept it go to [617](#) . The dwarf says: "I would give you the keys cream white for your keys." If you accept it go to [824](#) . The dwarf says: "I would give you the keys violet white for your keys." If you accept it go to [429](#) . The dwarf says: "I would give you the cream key for your keys." If you accept it go to [912](#) . You can look around [716](#)

695 You are standing in a small room. Apart from you there is a dwarf at ACB here. There is a door DCB in the northern wall. There are 3 hatches in the floor. ACB ADB DCB . You have the keys cream rust . What do you want to do? Talk with the dwarf - go to [1014](#) Go to the field ACB - [374](#) Go to the field ADB - [477](#) Go to the field DCB - [577](#)

696 You are standing in front of the door at DCA - You have the gray key. None of your keys opens the south door. You can open the hatch with the gray key and ascend to the upper level [1054](#) You can look around [857](#)

697 You are standing in front of the door at ADA - You have the keys violet olive . None of your keys opens the hatch in the ceiling. You can look around [706](#)

698 You are standing in a corridor leading from east to west. Apart from you there is a dwarf at CDA here. There are 2 door in the northern wall. BDA DDA . There is a hatch ADA in the ceiling. You have the keys black coral . What do you want to do? Talk with the dwarf - go to [390](#) Go to the field ADA - [1196](#) Go to the field BDA - [381](#) Go to the field DDA - [1155](#)

699 You are standing in a small room. Apart from you there is a dwarf at ACA here. There is a door BBA in the northern wall. There is a door BCA in the eastern wall. There is a door BCA in the southern wall. There are 2 hatches in the ceiling. ACA BBA . You have the keys black peach . What do you want to do? Talk with the dwarf - go to [1073](#) Go to the field ACA - [485](#) Go to the field BBA - [13](#) Go to the field BCA - [1160](#)

700 You are standing in front of the door at BCA - You have the keys black coral . You can open the door with the coral key and go east [977](#) You can open the door with the black key and go south [381](#) You can look around [405](#)

701 You are standing in front of the door at DCA - You have the brown key. None of your keys opens the south door. None of your keys opens the hatch in the ceiling. You can look around [1241](#)

702 You are standing in front of the door at ACB - You have the keys cream brown . None of your keys opens the hatch in the floor. You can look around [18](#)

703 You are standing in front of the door at BAA - You have the keys brown blue . None of your keys opens the south door. You can look around [452](#)

704 You are standing in front of the door at CAB - You have the keys cream peach . You can open the hatch with the peach key and descend to the lower level [108](#) You can look around [1010](#)

705 You are standing in front of the door at DBB - You have the keys white blue . None of your keys opens the south door. You can look around [939](#)

706 You are standing in a corridor leading from east to west.Apart from you there is a dwarf at CDA here.There are 2 door in the northern wall.BDA DDA . There is a hatch ADA in the ceiling. You have the keys violet olive . What do you want to do? Talk with the dwarf - go to [845](#) Go to the field ADA - [697](#) Go to the field BDA - [531](#) Go to the field DDA - [738](#)

707 You are standing next to the dwarf at ACA. You have the keys cream rust . Hello, my name is Yubrumir Merrygut . The dwarf does not accept any exchange. You can look around [1130](#)

708 You are standing in front of the door at DCB - You have the keys cream peach . None of your keys opens the north door. None of your keys opens the hatch in the floor. You can look around [879](#)

709 You are standing in front of the door at BDA - You have the keys violet rust . None of your keys opens the north door. You can look around [673](#)

710 You are standing in a small room.Apart from you there is a dwarf at ACA here.There is a door BBA in the northern wall.There is a door BCA in the eastern wall.There is a door BCA in the southern wall.There are 2 hatches in the ceiling.ACA BBA . You have the rust key. What do you want to do? Talk with the dwarf - go to [493](#) Go to the field ACA - [832](#) Go to the field BBA - [688](#) Go to the field BCA - [962](#)

711 You are standing in a small room.Apart from you there is a dwarf at DBA here.There is a door CBA in the northern wall.There is a door DCA in the southern wall.There is a door CCA in the western wall.There are 2 hatches in the ceiling.CBA DCA . You have the keys violet peach . What do you want to do? Talk with the dwarf - go to [775](#) Go to the field CBA - [495](#) Go to the field CCA - [249](#) Go to the field DCA - [1048](#)

712 You are standing next to the dwarf at DBA. You have the keys cream coral . Hello, my name is Gromdec Barrelblade . The dwarf says: "I would give you the keys violet olive for your keys." If you accept it go to [278](#) . The dwarf says: "I would give you the keys orange blue for your keys." If you accept it go to [1209](#) . The dwarf says: "I would give you the coral key for your keys." If you accept it go to [353](#) . You can look around [240](#)

713 You are standing in front of the door at CCA - You have the keys peach orange . None of your keys opens the west door. You can look around [628](#)

714 You are standing in front of the door at ADA - You have the keys black rust . None of your keys opens the hatch in the ceiling. You can look around [776](#)

715 You are standing in front of the door at CAA - You have the keys brown peach . You can open the door with the brown key and go south [674](#) You can open the hatch with the peach key and ascend to the upper level [950](#) You can look around [1198](#)

716 You are standing in a corridor leading from east to west.Apart from you there is a dwarf at CDA here.There are 2 door in the northern wall.BDA DDA . There is a hatch ADA in the ceiling. You have the keys black gray . What do you want to do? Talk with the dwarf - go to [694](#) Go to the field ADA - [943](#) Go to the field BDA - [1102](#) Go to the field DDA - [551](#)

717 You are standing next to the dwarf at ACA. You have the keys cream black . Hello, my name is Yubrumir Merrygut . The dwarf says: "I would give you the keys black brown for your keys." If you accept it go to [859](#) . The dwarf says: "I would give you the keys white olive for your keys." If you accept it go to [465](#) . The dwarf says: "I would give you the keys coral blue for your keys." If you accept it go to [1074](#) . The dwarf says: "I would give you the keys black peach for your keys." If you accept it go to [1073](#) . The dwarf says: "I would give you the white key for your keys." If you accept it go to [1100](#) . The dwarf says: "I would give you the keys brown blue for your keys." If you accept it go to [965](#) . The dwarf says: "I would give you the keys peach blue for your keys." If you accept it go to [511](#) . The dwarf says: "I would give you the keys cream blue for your keys." If you accept it go to [99](#) . The dwarf says: "I would give you the keys white orange for your keys." If you accept it go to [636](#) . The dwarf says: "I would give you the keys cream coral for your keys." If you accept it go to [829](#) . The dwarf says: "I would give you the keys black olive for your keys." If you accept it go to [753](#) . The dwarf says: "I would give you the keys violet rust for your keys." If you accept it go to [995](#) . The dwarf says: "I would give you the keys violet white for your keys." If you accept it go to [693](#) . The dwarf says: "I would give you the keys peach rust for your keys." If you accept it go to [402](#) . You can look around [359](#)

718 You are standing in a corridor leading from east to west.Apart from you there is a dwarf at DAA here.There are 2 door in the southern wall.BAA CAA . There is a hatch CAA in the ceiling. You have the white key. What do you want to do? Talk with the dwarf - go to [180](#) Go to the field BAA - [982](#) Go to the field CAA - [112](#)

719 You are standing in a small room.Apart from you there is a dwarf at ABB here.There is a door DBB in the southern wall.There are 3 hatches in the floor.BBB CAB CBB . You have the keys gray orange . What do you want to do? Talk with the dwarf - go to [868](#) Go to the field BBB - [1081](#) Go to the field CAB - [521](#) Go to the field CBB - [141](#) Go to the field DBB - [345](#)

720 You are standing in front of the door at ACA - You have the keys gray rust . You can open the hatch with the rust key and ascend to the upper level [121](#) You can look around [147](#)

721 You are standing in front of the door at DCB - You have the keys brown gray . None of your keys opens the north door. You can open the hatch with the gray key and descend to the lower level [73](#) You can look around [682](#)

722 You are standing in a corridor leading from east to west.Apart from you there is a dwarf at CDA here.There are 2 door in the northern wall.BDA DDA . There is a hatch ADA in the ceiling. You have the keys violet blue . What do you want to do? Talk with the dwarf - go to [617](#) Go to the field ADA - [958](#) Go to the field BDA - [580](#) Go to the field DDA - [1128](#)

723 You are standing in front of the door at BBA - You have the keys coral blue . None of your keys opens the north door. You can open the hatch with the blue key and ascend to the upper level [149](#) You can look around [443](#)

724 You are standing in a small room.Apart from you there is a dwarf at ACB here.There is a door DCB in the northern wall.There are 3 hatches in the floor.ACB ADB DCB . You have the keys rust olive . What do you want to do? Talk with the dwarf - go to [736](#) Go to the field ACB - [156](#) Go to the field ADB - [2](#) Go to the field DCB - [811](#)

725 You are standing next to the dwarf at DAA. You have the keys brown peach . Hello, my name is Saduc Ironbrow . The dwarf does not accept any exchange. You can look around [1198](#)

726 You are standing in front of the door at BAA - You have the keys brown coral . None of your keys opens the south door. You can look around [1133](#)

727 You are standing in a small room.Apart from you there is a dwarf at ABB here.There is a door DBB in the southern wall.There are 3 hatches in the floor.BBB CAB CBB . You have the keys gray olive . What do you want to do? Talk with the dwarf - go to [183](#) Go to the field BBB - [123](#) Go to the field CAB - [198](#) Go to the field CBB - [48](#) Go to the field DBB - [648](#)

728 You are standing in front of the door at CBA - You have the orange key. None of your keys opens the north door. You can open the hatch with the orange key and ascend to the upper level [138](#) You can look around [492](#)

729 You are standing in front of the door at BAA - You have the keys brown olive . None of your keys opens the south door. You can look around [1190](#)

730 You are standing in front of the door at CAA - You have the keys white gray . None of your keys opens the south door. None of your keys opens the hatch in the ceiling. You can look around [315](#)

731 You are standing next to the dwarf at ABB. You have the keys peach blue . Hello, my name is Rukhon Copperbrewer . The dwarf says: "I would give you the keys cream olive for your keys." If you accept it go to [844](#) . The dwarf says: "I would give you the keys coral orange for your keys." If you accept it go to [272](#) . You can look around [252](#)

732 You are standing in a small room.Apart from you there is a dwarf at ACB here.There is a door DCB in the northern wall.There are 3 hatches in the floor.ACB ADB DCB . You have the keys olive orange . What do you want to do? Talk with the dwarf - go to [783](#) Go to the field ACB - [1063](#) Go to the field ADB - [1069](#) Go to the field DCB - [85](#)

733 You are standing next to the dwarf at ACB. You have the keys violet olive . Hello, my name is Destrumri Beastbeard . The dwarf says: "I would give you the keys violet gray for your keys." If you accept it go to [768](#) . You can look around [1194](#)

734 You are standing in front of the door at DCA - You have the keys white orange . None of your keys opens the south door. None of your keys opens the hatch in the ceiling. You can look

around [334](#)

735 You are standing next to the dwarf at CDA. You have the keys violet brown . Hello, my name is Ruvolin Windsunder . The dwarf does not accept any exchange. You can look around [53](#)

736 You are standing next to the dwarf at ACB. You have the keys rust olive . Hello, my name is Destrumri Beastbeard . The dwarf says: "I would give you the keys brown gray for your keys." If you accept it go to [672](#) . The dwarf says: "I would give you the keys gray orange for your keys." If you accept it go to [88](#) . You can look around [724](#)

737 You are standing in front of the door at DCA - You have the keys brown peach . None of your keys opens the south door. None of your keys opens the hatch in the ceiling. You can look around [657](#)

738 You are standing in front of the door at DDA - You have the keys violet olive . You can open the door with the violet key and go north [1094](#) You can look around [706](#)

739 You are standing next to the dwarf at DBA. You have the violet key. Hello, my name is Gromdec Barrelblade . The dwarf says: "I would give you the keys cream brown for your keys." If you accept it go to [222](#) . You can look around [89](#)

740 You are standing in front of the door at DCB - You have the keys cream black . None of your keys opens the north door. None of your keys opens the hatch in the floor. You can look around [1111](#)

741 You are standing next to the dwarf at DAA. You have the keys brown coral . Hello, my name is Saduc Ironbrow . The dwarf does not accept any exchange. You can look around [1133](#)

742 You are standing in front of the door at ACA - You have the keys rust orange . You can open the hatch with the rust key and ascend to the upper level [1029](#) You can look around [1223](#)

743 You are standing in front of the door at CBA - You have the gray key. None of your keys opens the north door. None of your keys opens the hatch in the ceiling. You can look around [857](#)

744 You are standing in a corridor leading from east to west. Apart from you there is a dwarf at CDA here. There are 2 door in the northern wall. BDA DDA . There is a hatch ADA in the ceiling. You have the keys cream brown . What do you want to do? Talk with the dwarf - go to [267](#) Go to the field ADA - [1247](#) Go to the field BDA - [973](#) Go to the field DDA - [803](#)

745 You are standing in a corridor leading from east to west. Apart from you there is a dwarf at CDA here. There are 2 door in the northern wall. BDA DDA . There is a hatch ADA in the ceiling. You have the keys violet black . What do you want to do? Talk with the dwarf - go to [1101](#) Go to the field ADA - [299](#) Go to the field BDA - [193](#) Go to the field DDA - [301](#)

746 You are standing in a corridor leading from east to west. Apart from you there is a dwarf at DAA here. There are 2 door in the southern wall. BAA CAA . There is a hatch CAA in the ceiling. You have the keys white rust . What do you want to do? Talk with the dwarf - go to [36](#)

Go to the field BAA - [786](#) Go to the field CAA - [1047](#)

747 You are standing in front of the door at ADB - You have the keys brown rust . None of your keys opens the hatch in the floor. You can look around [539](#)

748 You are standing in front of the door at DCA - You have the keys peach orange . None of your keys opens the south door. None of your keys opens the hatch in the ceiling. You can look around [628](#)

749 You are standing next to the dwarf at DBA. You have the keys peach gray . Hello, my name is Gromdec Barrelblade . The dwarf says: "I would give you the keys brown rust for your keys." If you accept it go to [1013](#) . You can look around [1189](#)

750 You are standing in front of the door at CAB - You have the keys coral blue . None of your keys opens the hatch in the floor. You can look around [391](#)

751 You are standing in front of the door at BBB - You have the keys violet blue . You can open the hatch with the blue key and descend to the lower level [308](#) You can look around [142](#)

752 You are standing in front of the door at CAA - You have the peach key. None of your keys opens the south door. You can open the hatch with the peach key and ascend to the upper level [83](#) You can look around [411](#)

753 You are standing next to the dwarf at ACA. You have the keys black olive . Hello, my name is Yubrumir Merrygut . The dwarf says: "I would give you the keys black brown for your keys." If you accept it go to [859](#) . The dwarf says: "I would give you the keys white olive for your keys." If you accept it go to [465](#) . The dwarf says: "I would give you the keys coral blue for your keys." If you accept it go to [1074](#) . The dwarf says: "I would give you the keys black peach for your keys." If you accept it go to [1073](#) . The dwarf says: "I would give you the white key for your keys." If you accept it go to [1100](#) . The dwarf says: "I would give you the keys brown blue for your keys." If you accept it go to [965](#) . The dwarf says: "I would give you the keys peach blue for your keys." If you accept it go to [511](#) . The dwarf says: "I would give you the keys cream blue for your keys." If you accept it go to [99](#) . The dwarf says: "I would give you the keys cream black for your keys." If you accept it go to [717](#) . The dwarf says: "I would give you the keys white orange for your keys." If you accept it go to [636](#) . The dwarf says: "I would give you the keys cream coral for your keys." If you accept it go to [829](#) . The dwarf says: "I would give you the keys violet rust for your keys." If you accept it go to [995](#) . The dwarf says: "I would give you the keys violet white for your keys." If you accept it go to [693](#) . The dwarf says: "I would give you the keys peach rust for your keys." If you accept it go to [402](#) . You can look around [598](#)

754 You are standing in front of the door at BBA - You have the keys cream blue . None of your keys opens the north door. You can open the hatch with the blue key and ascend to the upper level [476](#) You can look around [463](#)

755 You are standing in front of the door at BCA - You have the keys violet white . None of your keys opens the east door. None of your keys opens the south door. You can look around [1218](#)

756 You are standing in front of the door at BBA - You have the keys black rust . None of your keys opens the north door. None of your keys opens the hatch in the ceiling. You can look around [195](#)

757 You are standing in front of the door at ACA - You have the keys gray coral . None of your keys opens the hatch in the ceiling. You can look around [575](#)

758 You are standing in front of the door at CAB - You have the keys olive blue . None of your keys opens the hatch in the floor. You can look around [317](#)

759 You are standing in front of the door at DCA - You have the keys brown blue . None of your keys opens the south door. None of your keys opens the hatch in the ceiling. You can look around [957](#)

760 You are standing in front of the door at BBA - You have the keys black brown . None of your keys opens the north door. None of your keys opens the hatch in the ceiling. You can look around [224](#)

761 You are standing in a corridor leading from east to west. Apart from you there is a dwarf at DAA here. There are 2 doors in the southern wall. BAA CAA . There is a hatch CAA in the ceiling. You have the keys black peach . What do you want to do? Talk with the dwarf - go to [675](#) Go to the field BAA - [273](#) Go to the field CAA - [956](#)

762 You are standing in front of the door at BAA - You have the keys white gray . You can open the door with the white key and go south [665](#) You can look around [315](#)

763 You are standing in front of the door at ACA - You have the keys rust olive . You can open the hatch with the rust key and ascend to the upper level [156](#) You can look around [1158](#)

764 You are standing in a small room. Apart from you there is a dwarf at ACB here. There is a door DCB in the northern wall. There are 3 hatches in the floor. ACB ADB DCB . You have the keys black gray . What do you want to do? Talk with the dwarf - go to [1235](#) Go to the field ACB - [789](#) Go to the field ADB - [98](#) Go to the field DCB - [527](#)

765 You are standing next to the dwarf at DBA. You have the keys brown gray . Hello, my name is Gromdec Barrelblade . The dwarf does not accept any exchange. You can look around [336](#)

766 You are standing in front of the door at DBB - You have the keys peach orange . None of your keys opens the south door. You can look around [1016](#)

767 You are standing in front of the door at ADB - You have the keys gray blue . None of your keys opens the hatch in the floor. You can look around [109](#)

768 You are standing next to the dwarf at ACB. You have the keys violet gray . Hello, my name is Destrumri Beastbeard . The dwarf says: "I would give you the keys violet olive for your keys." If you accept it go to [733](#) . You can look around [341](#)

769 You are standing in a small room. Apart from you there is a dwarf at DBA here. There is a door CBA in the northern wall. There is a door DCA in the southern wall. There is a door CCA in the western wall. There are 2 hatches in the ceiling. CBA DCA . You have the keys black orange . What do you want to do? Talk with the dwarf - go to [440](#) Go to the field CBA - [651](#) Go to the field CCA - [874](#) Go to the field DCA - [464](#)

770 You are standing next to the dwarf at DAA. You have the keys peach rust . Hello, my name is Saduc Ironbrow . The dwarf says: "I would give you the keys white gray for your keys." If you accept it go to [208](#) . The dwarf says: "I would give you the keys brown gray for your keys." If you accept it go to [831](#) . The dwarf says: "I would give you the keys violet brown for your keys." If you accept it go to [1170](#) . The dwarf says: "I would give you the keys cream peach for your keys." If you accept it go to [968](#) . The dwarf says: "I would give you the keys brown blue for your keys." If you accept it go to [365](#) . The dwarf says: "I would give you the keys brown rust for your keys." If you accept it go to [14](#) . The dwarf says: "I would give you the keys violet peach for your keys." If you accept it go to [790](#) . The dwarf says: "I would give you the brown key for your keys." If you accept it go to [917](#) . The dwarf says: "I would give you the keys brown white for your keys." If you accept it go to [171](#) . You can look around [387](#)

771 You are standing in a small room. Apart from you there is a dwarf at ABB here. There is a door DBB in the southern wall. There are 3 hatches in the floor. BBB CAB CBB . You have the keys peach olive . What do you want to do? Talk with the dwarf - go to [214](#) Go to the field BBB - [1179](#) Go to the field CAB - [507](#) Go to the field CBB - [126](#) Go to the field DBB - [1187](#)

772 You are standing in front of the door at DDA - You have the black key. None of your keys opens the north door. You can look around [337](#)

773 You are standing in a small room. Apart from you there is a dwarf at ACA here. There is a door BBA in the northern wall. There is a door BCA in the eastern wall. There is a door BCA in the southern wall. There are 2 hatches in the ceiling. ACA BBA . You have the keys white rust . What do you want to do? Talk with the dwarf - go to [612](#) Go to the field ACA - [305](#) Go to the field BBA - [161](#) Go to the field BCA - [818](#)

774 You are standing in front of the door at ACA - You have the keys orange blue . None of your keys opens the hatch in the ceiling. You can look around [383](#)

775 You are standing next to the dwarf at DBA. You have the keys violet peach . Hello, my name is Gromdec Barrelblade . The dwarf says: "I would give you the keys cream orange for your keys." If you accept it go to [847](#) . The dwarf says: "I would give you the keys gray blue for your keys." If you accept it go to [929](#) . The dwarf says: "I would give you the keys peach coral for your keys." If you accept it go to [549](#) . The dwarf says: "I would give you the brown key for your keys." If you accept it go to [597](#) . You can look around [711](#)

776 You are standing in a corridor leading from east to west. Apart from you there is a dwarf at CDA here. There are 2 door in the northern wall. BDA DDA . There is a hatch ADA in the ceiling. You have the keys black rust . What do you want to do? Talk with the dwarf - go to [545](#) Go to the field ADA - [714](#) Go to the field BDA - [972](#) Go to the field DDA - [540](#)

777 You are standing in front of the door at ADA - You have the keys black orange . None of your keys opens the hatch in the ceiling. You can look around [615](#)

778 You are standing in front of the door at CAB - You have the keys cream olive . None of your keys opens the hatch in the floor. You can look around [1036](#)

779 You are standing in front of the door at CBB - You have the keys peach gray . None of your keys opens the hatch in the floor. You can look around [1206](#)

780 You are standing next to the dwarf at ACB. You have the keys black rust . Hello, my name is Destrumri Beastbeard . The dwarf says: "I would give you the keys cream brown for your keys." If you accept it go to [687](#) . The dwarf says: "I would give you the keys olive coral for your keys." If you accept it go to [591](#) . The dwarf says: "I would give you the keys rust orange for your keys." If you accept it go to [119](#) . The dwarf says: "I would give you the cream key for your keys." If you accept it go to [873](#) . The dwarf says: "I would give you the keys peach rust for your keys." If you accept it go to [46](#) . You can look around [496](#)

781 You are standing in front of the door at ADB - You have the keys rust blue . None of your keys opens the hatch in the floor. You can look around [1251](#)

782 You are standing in front of the door at DDA - You have the keys black peach . None of your keys opens the north door. You can look around [920](#)

783 You are standing next to the dwarf at ACB. You have the keys olive orange . Hello, my name is Destrumri Beastbeard . The dwarf does not accept any exchange. You can look around [732](#)

784 You are standing next to the dwarf at ACB. You have the keys black olive . Hello, my name is Destrumri Beastbeard . The dwarf says: "I would give you the keys cream gray for your keys." If you accept it go to [670](#) . You can look around [563](#)

785 You are standing in a corridor leading from east to west. Apart from you there is a dwarf at CDA here. There are 2 doors in the northern wall. BDA DDA . There is a hatch ADA in the ceiling. You have the keys cream orange . What do you want to do? Talk with the dwarf - go to [504](#) Go to the field ADA - [564](#) Go to the field BDA - [271](#) Go to the field DDA - [136](#)

786 You are standing in front of the door at BAA - You have the keys white rust . You can open the door with the white key and go south [161](#) You can look around [746](#)

787 You are standing next to the dwarf at ACB. You have the keys cream coral . Hello, my name is Destrumri Beastbeard . The dwarf says: "I would give you the keys peach gray for your keys." If you accept it go to [592](#) . You can look around [238](#)

788 You are standing in a small room. Apart from you there is a dwarf at ACA here. There is a door BBA in the northern wall. There is a door BCA in the eastern wall. There is a door BCA in the southern wall. There are 2 hatches in the ceiling. ACA BBA . You have the keys black blue . What do you want to do? Talk with the dwarf - go to [1050](#) Go to the field ACA - [656](#) Go to the field BBA - [1243](#) Go to the field BCA - [1115](#)

789 You are standing in front of the door at ACB - You have the keys black gray . None of your keys opens the hatch in the floor. You can look around [764](#)

790 You are standing next to the dwarf at DAA. You have the keys violet peach . Hello, my name is Saduc Ironbrow . The dwarf says: "I would give you the keys white gray for your keys." If you accept it go to [208](#) . The dwarf says: "I would give you the keys brown gray for your keys." If you accept it go to [831](#) . The dwarf says: "I would give you the keys violet brown for your keys." If you accept it go to [1170](#) . The dwarf says: "I would give you the keys cream peach for your keys." If you accept it go to [968](#) . The dwarf says: "I would give you the keys brown blue for your keys." If you accept it go to [365](#) . The dwarf says: "I would give you the keys brown rust for your keys." If you accept it go to [14](#) . The dwarf says: "I would give you the keys peach rust for your keys." If you accept it go to [770](#) . The dwarf says: "I would give you the brown key for your keys." If you accept it go to [917](#) . The dwarf says: "I would give you the keys brown white for your keys." If you accept it go to [171](#) . You can look around [176](#)

791 You are standing in front of the door at BCA - You have the keys peach blue . None of your keys opens the east door. None of your keys opens the south door. You can look around [87](#)

792 You are standing next to the dwarf at ACA. You have the keys violet black . Hello, my name is Yubrumir Merrygut . The dwarf says: "I would give you the keys white rust for your keys." If you accept it go to [612](#) . You can look around [220](#)

793 You are standing next to the dwarf at ACB. You have the keys cream blue . Hello, my name is Destrumri Beastbeard . The dwarf says: "I would give you the keys cream rust for your keys." If you accept it go to [1014](#) . You can look around [562](#)

794 You are standing next to the dwarf at ACA. You have the keys white blue . Hello, my name is Yubrumir Merrygut . The dwarf does not accept any exchange. You can look around [810](#)

795 You are standing in front of the door at DDA - You have the keys violet orange . You can open the door with the violet key and go north [967](#) You can look around [994](#)

796 You are standing in a small room. Apart from you there is a dwarf at DBA here. There is a door CBA in the northern wall. There is a door DCA in the southern wall. There is a door CCA in the western wall. There are 2 hatches in the ceiling. CBA DCA . You have the keys violet blue . What do you want to do? Talk with the dwarf - go to [502](#) Go to the field CBA - [1135](#) Go to the field CCA - [846](#) Go to the field DCA - [541](#)

797 You are standing in front of the door at ACA - You have the keys white coral . None of your keys opens the hatch in the ceiling. You can look around [991](#)

798 You are standing in front of the door at DCA - You have the keys cream orange . None of your keys opens the south door. None of your keys opens the hatch in the ceiling. You can look around [350](#)

799 You are standing in front of the door at CBB - You have the keys black peach . None of your keys opens the hatch in the floor. You can look around [406](#)

800 You are standing in front of the door at DBB - You have the keys brown olive . You

can open the door with the olive key and go south [895](#) You can look around [372](#)

801 You are standing in a small room. Apart from you there is a dwarf at ACA here. There is a door BBA in the northern wall. There is a door BCA in the eastern wall. There is a door BCA in the southern wall. There are 2 hatches in the ceiling. ACA BBA . You have the keys rust coral . What do you want to do? Talk with the dwarf - go to [833](#) Go to the field ACA - [1225](#) Go to the field BBA - [331](#) Go to the field BCA - [911](#)

802 You are standing in front of the door at BDA - You have the keys black brown . You can open the door with the black key and go north [602](#) You can look around [899](#)

803 You are standing in front of the door at DDA - You have the keys cream brown . None of your keys opens the north door. You can look around [744](#)

804 You are standing in front of the door at BBB - You have the keys orange blue . You can open the hatch with the blue key and descend to the lower level [574](#) You can look around [232](#)

805 You are standing next to the dwarf at CDA. You have the keys black white . Hello, my name is Ruvolin Windsunder . The dwarf says: "I would give you the keys black brown for your keys." If you accept it go to [290](#) . You can look around [377](#)

806 You are standing in front of the door at BBA - You have the coral key. None of your keys opens the north door. None of your keys opens the hatch in the ceiling. You can look around [65](#)

807 You are standing in front of the door at CAA - You have the keys violet brown . You can open the door with the brown key and go south [1071](#) None of your keys opens the hatch in the ceiling. You can look around [905](#)

808 You are standing in front of the door at BAA - You have the keys white olive . You can open the door with the white key and go south [264](#) You can look around [363](#)

809 You are standing in front of the door at BAA - You have the keys peach olive . None of your keys opens the south door. You can look around [1259](#)

810 You are standing in a small room. Apart from you there is a dwarf at ACA here. There is a door BBA in the northern wall. There is a door BCA in the eastern wall. There is a door BCA in the southern wall. There are 2 hatches in the ceiling. ACA BBA . You have the keys white blue . What do you want to do? Talk with the dwarf - go to [794](#) Go to the field ACA - [1202](#) Go to the field BBA - [218](#) Go to the field BCA - [907](#)

811 You are standing in front of the door at DCB - You have the keys rust olive . You can open the door with the olive key and go north [116](#) None of your keys opens the hatch in the floor. You can look around [724](#)

812 You are standing in front of the door at CCA - You have the keys white coral . You can open the door with the coral key and go west [392](#) You can look around [1147](#)

813 You are standing in front of the door at ACA - You have the white key. None of your keys opens the hatch in the ceiling. You can look around [921](#)

814 You are standing next to the dwarf at ABB. You have the keys violet olive . Hello, my name is Rukhon Copperbrewer . The dwarf says: "I would give you the keys brown olive for your keys." If you accept it go to [242](#) . The dwarf says: "I would give you the orange key for your keys." If you accept it go to [95](#) . The dwarf says: "I would give you the keys black orange for your keys." If you accept it go to [1139](#) . The dwarf says: "I would give you the keys black peach for your keys." If you accept it go to [932](#) . The dwarf says: "I would give you the keys peach gray for your keys." If you accept it go to [204](#) . The dwarf says: "I would give you the keys peach rust for your keys." If you accept it go to [468](#) . You can look around [197](#)

815 You are standing in front of the door at DDA - You have the keys cream blue . None of your keys opens the north door. You can look around [880](#)

816 You are standing in a small room. Apart from you there is a dwarf at ACB here. There is a door DCB in the northern wall. There are 3 hatches in the floor. ACB ADB DCB . You have the keys gray olive . What do you want to do? Talk with the dwarf - go to [1178](#) Go to the field ACB - [915](#) Go to the field ADB - [155](#) Go to the field DCB - [1027](#)

817 You are standing in front of the door at DCA - You have the keys peach gray . None of your keys opens the south door. You can open the hatch with the gray key and ascend to the upper level [285](#) You can look around [1189](#)

818 You are standing in front of the door at BCA - You have the keys white rust . None of your keys opens the east door. None of your keys opens the south door. You can look around [773](#)

819 You are standing next to the dwarf at DAA. You have the keys peach orange . Hello, my name is Saduc Ironbrow . The dwarf says: "I would give you the keys violet white for your keys." If you accept it go to [1134](#) . The dwarf says: "I would give you the keys brown orange for your keys." If you accept it go to [599](#) . You can look around [1256](#)

820 You are standing in front of the door at ADA - You have the violet key. None of your keys opens the hatch in the ceiling. You can look around [927](#)

821 You are standing in front of the door at CBA - You have the keys black gray . None of your keys opens the north door. None of your keys opens the hatch in the ceiling. You can look around [515](#)

822 You are standing in front of the door at ADA - You have the keys cream black . You can open the hatch with the cream key and ascend to the upper level [678](#) You can look around [134](#)

823 You are standing in front of the door at ADB - You have the keys white gray . None of your keys opens the hatch in the floor. You can look around [1001](#)

824 You are standing next to the dwarf at CDA. You have the keys cream white . Hello, my name is Ruvolin Windsunder . The dwarf says: "I would give you the keys violet blue for your keys." If you accept it go to [617](#) . The dwarf says: "I would give you the keys black gray

for your keys." If you accept it go to [694](#) . The dwarf says: "I would give you the keys violet white for your keys." If you accept it go to [429](#) . The dwarf says: "I would give you the cream key for your keys." If you accept it go to [912](#) . You can look around [32](#)

825 You are standing in front of the door at DBB - You have the keys brown blue . None of your keys opens the south door. You can look around [268](#)

826 You are standing in front of the door at BBA - You have the keys brown blue . None of your keys opens the north door. You can open the hatch with the blue key and ascend to the upper level [203](#) You can look around [475](#)

827 You are standing in a corridor leading from east to west. Apart from you there is a dwarf at DAA here. There are 2 door in the southern wall. BAA CAA . There is a hatch CAA in the ceiling. You have the keys white coral . What do you want to do? Talk with the dwarf - go to [332](#) Go to the field BAA - [1229](#) Go to the field CAA - [910](#)

828 You are standing in a corridor leading from east to west. Apart from you there is a dwarf at CDA here. There are 2 door in the northern wall. BDA DDA . There is a hatch ADA in the ceiling. You have the keys black blue . What do you want to do? Talk with the dwarf - go to [490](#) Go to the field ADA - [1095](#) Go to the field BDA - [1105](#) Go to the field DDA - [310](#)

829 You are standing next to the dwarf at ACA. You have the keys cream coral . Hello, my name is Yubrumir Merrygut . The dwarf says: "I would give you the keys black brown for your keys." If you accept it go to [859](#) . The dwarf says: "I would give you the keys white olive for your keys." If you accept it go to [465](#) . The dwarf says: "I would give you the keys coral blue for your keys." If you accept it go to [1074](#) . The dwarf says: "I would give you the keys black peach for your keys." If you accept it go to [1073](#) . The dwarf says: "I would give you the white key for your keys." If you accept it go to [1100](#) . The dwarf says: "I would give you the keys brown blue for your keys." If you accept it go to [965](#) . The dwarf says: "I would give you the keys peach blue for your keys." If you accept it go to [511](#) . The dwarf says: "I would give you the keys cream blue for your keys." If you accept it go to [99](#) . The dwarf says: "I would give you the keys cream black for your keys." If you accept it go to [717](#) . The dwarf says: "I would give you the keys white orange for your keys." If you accept it go to [636](#) . The dwarf says: "I would give you the keys black olive for your keys." If you accept it go to [753](#) . The dwarf says: "I would give you the keys violet rust for your keys." If you accept it go to [995](#) . The dwarf says: "I would give you the keys violet white for your keys." If you accept it go to [693](#) . The dwarf says: "I would give you the keys peach rust for your keys." If you accept it go to [402](#) . You can look around [976](#)

830 You are standing in front of the door at ACB - You have the keys cream black . None of your keys opens the hatch in the floor. You can look around [1111](#)

831 You are standing next to the dwarf at DAA. You have the keys brown gray . Hello, my name is Saduc Ironbrow . Congratulations! You have won! You can look around [384](#)

832 You are standing in front of the door at ACA - You have the rust key. You can open the hatch with the rust key and ascend to the upper level [448](#) You can look around [710](#)

833 You are standing next to the dwarf at ACA. You have the keys rust coral . Hello, my

name is Yubrumir Merrygut . The dwarf does not accept any exchange. You can look around [801](#)

834 You are standing in front of the door at BBA - You have the keys rust blue . None of your keys opens the north door. You can open the hatch with the blue key and ascend to the upper level [64](#) You can look around [41](#)

835 You are standing in front of the door at DCB - You have the keys cream coral . None of your keys opens the north door. None of your keys opens the hatch in the floor. You can look around [238](#)

836 You are standing next to the dwarf at CDA. You have the keys black peach . Hello, my name is Ruvolin Windsunder . The dwarf does not accept any exchange. You can look around [920](#)

837 You are standing in front of the door at CAB - You have the blue key. None of your keys opens the hatch in the floor. You can look around [1257](#)

838 You are standing in front of the door at CBB - You have the peach key. None of your keys opens the hatch in the floor. You can look around [918](#)

839 You are standing in a small room. Apart from you there is a dwarf at ACB here. There is a door DCB in the northern wall. There are 3 hatches in the floor. ACB ADB DCB . You have the keys gray orange . What do you want to do? Talk with the dwarf - go to [88](#) Go to the field ACB - [1075](#) Go to the field ADB - [1067](#) Go to the field DCB - [985](#)

840 You are standing next to the dwarf at ABB. You have the keys violet blue . Hello, my name is Rukhon Copperbrewer . The dwarf says: "I would give you the keys olive coral for your keys." If you accept it go to [4](#) . You can look around [142](#)

841 You are standing next to the dwarf at ACA. You have the keys white gray . Hello, my name is Yubrumir Merrygut . The dwarf does not accept any exchange. You can look around [373](#)

842 You are standing in a corridor leading from east to west. Apart from you there is a dwarf at CDA here. There are 2 door in the northern wall. BDA DDA . There is a hatch ADA in the ceiling. You have the keys violet peach . What do you want to do? Talk with the dwarf - go to [1024](#) Go to the field ADA - [930](#) Go to the field BDA - [1173](#) Go to the field DDA - [192](#)

843 You are standing in a small room. Apart from you there is a dwarf at ACB here. There is a door DCB in the northern wall. There are 3 hatches in the floor. ACB ADB DCB . You have the keys cream olive . What do you want to do? Talk with the dwarf - go to [1175](#) Go to the field ACB - [378](#) Go to the field ADB - [282](#) Go to the field DCB - [886](#)

844 You are standing next to the dwarf at ABB. You have the keys cream olive . Hello, my name is Rukhon Copperbrewer . The dwarf says: "I would give you the keys peach blue for your keys." If you accept it go to [731](#) . The dwarf says: "I would give you the keys coral orange for your keys." If you accept it go to [272](#) . You can look around [1036](#)

845 You are standing next to the dwarf at CDA. You have the keys violet olive . Hello, my

name is Ruvolin Windsunder . The dwarf does not accept any exchange. You can look around [706](#)

846 You are standing in front of the door at CCA - You have the keys violet blue . None of your keys opens the west door. You can look around [796](#)

847 You are standing next to the dwarf at DBA. You have the keys cream orange . Hello, my name is Gromdec Barrelblade . The dwarf says: "I would give you the keys gray blue for your keys." If you accept it go to [929](#) . The dwarf says: "I would give you the keys peach coral for your keys." If you accept it go to [549](#) . The dwarf says: "I would give you the brown key for your keys." If you accept it go to [597](#) . The dwarf says: "I would give you the keys violet peach for your keys." If you accept it go to [775](#) . You can look around [350](#)

848 You are standing in front of the door at BCA - You have the keys brown coral . You can open the door with the coral key and go east [570](#) None of your keys opens the south door. You can look around [587](#)

849 You are standing in front of the door at BBA - You have the keys rust orange . None of your keys opens the north door. None of your keys opens the hatch in the ceiling. You can look around [1223](#)

850 You are standing in front of the door at BCA - You have the keys olive coral . You can open the door with the coral key and go east [1227](#) None of your keys opens the south door. You can look around [338](#)

851 You are standing in front of the door at DBB - You have the keys olive blue . You can open the door with the olive key and go south [671](#) You can look around [317](#)

852 You are standing in front of the door at CAA - You have the keys peach olive . None of your keys opens the south door. You can open the hatch with the peach key and ascend to the upper level [507](#) You can look around [1259](#)

853 You are standing in front of the door at DBB - You have the keys gray blue . None of your keys opens the south door. You can look around [187](#)

854 You are standing next to the dwarf at ACB. You have the keys cream orange . Hello, my name is Destrumri Beastbeard . The dwarf does not accept any exchange. You can look around [423](#)

855 You are standing in a small room.Apart from you there is a dwarf at ABB here.There is a door DBB in the southern wall.There are 3 hatches in the floor.BBB CAB CBB . You have the keys black blue . What do you want to do? Talk with the dwarf - go to [1096](#) Go to the field BBB - [94](#) Go to the field CAB - [241](#) Go to the field CBB - [114](#) Go to the field DBB - [210](#)

856 You are standing in front of the door at BBB - You have the keys violet peach . None of your keys opens the hatch in the floor. You can look around [1177](#)

857 You are standing in a small room.Apart from you there is a dwarf at DBA here.There is a door CBA in the northern wall.There is a door DCA in the southern wall.There is a door CCA in the western wall.There are 2 hatches in the ceiling.CBA DCA . You have the gray key.

What do you want to do? Talk with the dwarf - go to [76](#) Go to the field CBA - [743](#) Go to the field CCA - [181](#) Go to the field DCA - [696](#)

858 You are standing in front of the door at CAA - You have the keys brown gray . You can open the door with the brown key and go south [129](#) None of your keys opens the hatch in the ceiling. You can look around [384](#)

859 You are standing next to the dwarf at ACA. You have the keys black brown . Hello, my name is Yubrumir Merrygut . The dwarf says: "I would give you the keys white olive for your keys." If you accept it go to [465](#) . The dwarf says: "I would give you the keys coral blue for your keys." If you accept it go to [1074](#) . The dwarf says: "I would give you the keys black peach for your keys." If you accept it go to [1073](#) . The dwarf says: "I would give you the white key for your keys." If you accept it go to [1100](#) . The dwarf says: "I would give you the keys brown blue for your keys." If you accept it go to [965](#) . The dwarf says: "I would give you the keys peach blue for your keys." If you accept it go to [511](#) . The dwarf says: "I would give you the keys cream blue for your keys." If you accept it go to [99](#) . The dwarf says: "I would give you the keys cream black for your keys." If you accept it go to [717](#) . The dwarf says: "I would give you the keys white orange for your keys." If you accept it go to [636](#) . The dwarf says: "I would give you the keys cream coral for your keys." If you accept it go to [829](#) . The dwarf says: "I would give you the keys black olive for your keys." If you accept it go to [753](#) . The dwarf says: "I would give you the keys violet rust for your keys." If you accept it go to [995](#) . The dwarf says: "I would give you the keys violet white for your keys." If you accept it go to [693](#) . The dwarf says: "I would give you the keys peach rust for your keys." If you accept it go to [402](#) . You can look around [224](#)

860 You are standing in front of the door at ADA - You have the keys cream coral . You can open the hatch with the cream key and ascend to the upper level [1116](#) You can look around [163](#)

861 You are standing in front of the door at CBB - You have the keys white peach . None of your keys opens the hatch in the floor. You can look around [525](#)

862 You are standing next to the dwarf at ACA. You have the keys rust blue . Hello, my name is Yubrumir Merrygut . The dwarf says: "I would give you the keys rust olive for your keys." If you accept it go to [153](#) . The dwarf says: "I would give you the black key for your keys." If you accept it go to [194](#) . The dwarf says: "I would give you the keys olive blue for your keys." If you accept it go to [61](#) . You can look around [41](#)

863 You are standing in front of the door at BAA - You have the keys brown white . You can open the door with the white key and go south [3](#) You can look around [1255](#)

864 You are standing in a small room. Apart from you there is a dwarf at ACA here. There is a door BBA in the northern wall. There is a door BCA in the eastern wall. There is a door BCA in the southern wall. There are 2 hatches in the ceiling. ACA BBA . You have the keys gray blue . What do you want to do? Talk with the dwarf - go to [1031](#) Go to the field ACA - [641](#) Go to the field BBA - [410](#) Go to the field BCA - [900](#)

865 You are standing in a small room. Apart from you there is a dwarf at DBA here. There is a door CBA in the northern wall. There is a door DCA in the southern wall. There is a door

CCA in the western wall. There are 2 hatches in the ceiling. CBA DCA . You have the keys violet rust . What do you want to do? Talk with the dwarf - go to [945](#) Go to the field CBA - [624](#) Go to the field CCA - [221](#) Go to the field DCA - [354](#)

866 You are standing in front of the door at CCA - You have the keys brown blue . None of your keys opens the west door. You can look around [957](#)

867 You are standing next to the dwarf at ABB. You have the keys black olive . Hello, my name is Rukhon Copperbrewer . The dwarf does not accept any exchange. You can look around [1122](#)

868 You are standing next to the dwarf at ABB. You have the keys gray orange . Hello, my name is Rukhon Copperbrewer . The dwarf does not accept any exchange. You can look around [719](#)

869 You are standing in front of the door at BAA - You have the keys peach rust . None of your keys opens the south door. You can look around [387](#)

870 You are standing in front of the door at BBA - You have the keys violet rust . None of your keys opens the north door. None of your keys opens the hatch in the ceiling. You can look around [569](#)

871 You are standing in front of the door at ADB - You have the keys rust orange . None of your keys opens the hatch in the floor. You can look around [1127](#)

872 You are standing in front of the door at CBA - You have the keys gray blue . None of your keys opens the north door. None of your keys opens the hatch in the ceiling. You can look around [605](#)

873 You are standing next to the dwarf at ACB. You have the cream key. Hello, my name is Destrurnri Beastbeard . The dwarf says: "I would give you the keys cream brown for your keys." If you accept it go to [687](#) . The dwarf says: "I would give you the keys olive coral for your keys." If you accept it go to [591](#) . The dwarf says: "I would give you the keys rust orange for your keys." If you accept it go to [119](#) . The dwarf says: "I would give you the keys peach rust for your keys." If you accept it go to [46](#) . The dwarf says: "I would give you the keys black rust for your keys." If you accept it go to [780](#) . You can look around [422](#)

874 You are standing in front of the door at CCA - You have the keys black orange . None of your keys opens the west door. You can look around [769](#)

875 You are standing in front of the door at ACB - You have the keys brown rust . You can open the hatch with the rust key and descend to the lower level [451](#) You can look around [539](#)

876 You are standing in front of the door at ADA - You have the keys cream peach . You can open the hatch with the cream key and ascend to the upper level [289](#) You can look around [395](#)

877 You are standing in front of the door at CBB - You have the keys cream olive . None

of your keys opens the hatch in the floor. You can look around [1036](#)

878 You are standing in front of the door at DBB - You have the keys white olive . You can open the door with the olive key and go south [243](#) You can look around [283](#)

879 You are standing in a small room.Apart from you there is a dwarf at ACB here.There is a door DCB in the northern wall.There are 3 hatches in the floor.ACB ADB DCB . You have the keys cream peach . What do you want to do? Talk with the dwarf - go to [1004](#) Go to the field ACB - [1098](#) Go to the field ADB - [289](#) Go to the field DCB - [708](#)

880 You are standing in a corridor leading from east to west.Apart from you there is a dwarf at CDA here.There are 2 door in the northern wall.BDA DDA . There is a hatch ADA in the ceiling. You have the keys cream blue . What do you want to do? Talk with the dwarf - go to [948](#) Go to the field ADA - [342](#) Go to the field BDA - [316](#) Go to the field DDA - [815](#)

881 You are standing in a small room.Apart from you there is a dwarf at ACB here.There is a door DCB in the northern wall.There are 3 hatches in the floor.ACB ADB DCB . You have the keys gray rust . What do you want to do? Talk with the dwarf - go to [368](#) Go to the field ACB - [121](#) Go to the field ADB - [1151](#) Go to the field DCB - [165](#)

882 You are standing next to the dwarf at DBA. You have the keys coral blue . Hello, my name is Gromdec Barrelblade . The dwarf does not accept any exchange. You can look around [1051](#)

883 You are standing in front of the door at BCA - You have the keys white olive . None of your keys opens the east door. None of your keys opens the south door. You can look around [434](#)

884 You are standing in front of the door at ADB - You have the keys brown gray . None of your keys opens the hatch in the floor. You can look around [682](#)

885 You are standing in a corridor leading from east to west.Apart from you there is a dwarf at CDA here.There are 2 door in the northern wall.BDA DDA . There is a hatch ADA in the ceiling. You have the cream key. What do you want to do? Talk with the dwarf - go to [912](#) Go to the field ADA - [1106](#) Go to the field BDA - [26](#) Go to the field DDA - [300](#)

886 You are standing in front of the door at DCB - You have the keys cream olive . You can open the door with the olive key and go north [427](#) None of your keys opens the hatch in the floor. You can look around [843](#)

887 You are standing in front of the door at CBB - You have the keys white olive . None of your keys opens the hatch in the floor. You can look around [283](#)

888 You are standing in front of the door at DDA - You have the keys violet white . You can open the door with the violet key and go north [600](#) You can look around [33](#)

889 You are standing in front of the door at CCA - You have the keys brown orange . None of your keys opens the west door. You can look around [281](#)

890 You are standing in front of the door at CCA - You have the keys black brown . None

of your keys opens the west door. You can look around [459](#)

891 You are standing in a small room. Apart from you there is a dwarf at ACA here. There is a door BBA in the northern wall. There is a door BCA in the eastern wall. There is a door BCA in the southern wall. There are 2 hatches in the ceiling. ACA BBA . You have the keys violet blue . What do you want to do? Talk with the dwarf - go to [467](#) Go to the field ACA - [346](#) Go to the field BBA - [308](#) Go to the field BCA - [347](#)

892 You are standing in a corridor leading from east to west. Apart from you there is a dwarf at DAA here. There are 2 door in the southern wall. BAA CAA . There is a hatch CAA in the ceiling. You have the keys peach blue . What do you want to do? Talk with the dwarf - go to [274](#) Go to the field BAA - [897](#) Go to the field CAA - [302](#)

893 You are standing in front of the door at BBA - You have the keys violet coral . None of your keys opens the north door. None of your keys opens the hatch in the ceiling. You can look around [269](#)

894 You are standing in front of the door at BBB - You have the keys white blue . You can open the hatch with the blue key and descend to the lower level [218](#) You can look around [939](#)

895 You are standing in front of the door at DCB - You have the keys brown olive . You can open the door with the olive key and go north [800](#) None of your keys opens the hatch in the floor. You can look around [431](#)

896 You are standing in front of the door at BDA - You have the keys cream white . None of your keys opens the north door. You can look around [32](#)

897 You are standing in front of the door at BAA - You have the keys peach blue . None of your keys opens the south door. You can look around [892](#)

898 You are standing in front of the door at ADA - You have the keys cream white . You can open the hatch with the cream key and ascend to the upper level [552](#) You can look around [32](#)

899 You are standing in a corridor leading from east to west. Apart from you there is a dwarf at CDA here. There are 2 door in the northern wall. BDA DDA . There is a hatch ADA in the ceiling. You have the keys black brown . What do you want to do? Talk with the dwarf - go to [290](#) Go to the field ADA - [1182](#) Go to the field BDA - [802](#) Go to the field DDA - [159](#)

900 You are standing in front of the door at BCA - You have the keys gray blue . None of your keys opens the east door. None of your keys opens the south door. You can look around [864](#)

901 You are standing in a small room. Apart from you there is a dwarf at ACA here. There is a door BBA in the northern wall. There is a door BCA in the eastern wall. There is a door BCA in the southern wall. There are 2 hatches in the ceiling. ACA BBA . You have the keys olive blue . What do you want to do? Talk with the dwarf - go to [61](#) Go to the field ACA - [157](#) Go to the field BBA - [357](#) Go to the field BCA - [189](#)

902 You are standing in front of the door at DBB - You have the keys violet olive . You can open the door with the olive key and go south [503](#) You can look around [197](#)

903 You are standing in a small room.Apart from you there is a dwarf at DBA here.There is a door CBA in the northern wall.There is a door DCA in the southern wall.There is a door CCA in the western wall.There are 2 hatches in the ceiling.CBA DCA . You have the keys olive orange . What do you want to do? Talk with the dwarf - go to [1032](#) Go to the field CBA - [486](#) Go to the field CCA - [229](#) Go to the field DCA - [1076](#)

904 You are standing next to the dwarf at DBA. You have the keys olive coral . Hello, my name is Gromdec Barrelblade . The dwarf says: "I would give you the keys white gray for your keys." If you accept it go to [43](#) . You can look around [1156](#)

905 You are standing in a corridor leading from east to west.Apart from you there is a dwarf at DAA here.There are 2 door in the southern wall.BAA CAA . There is a hatch CAA in the ceiling. You have the keys violet brown . What do you want to do? Talk with the dwarf - go to [1170](#) Go to the field BAA - [375](#) Go to the field CAA - [807](#)

906 You are standing next to the dwarf at CDA. You have the keys cream rust . Hello, my name is Ruvolin Windsunder . The dwarf says: "I would give you the keys violet black for your keys." If you accept it go to [1101](#) . You can look around [84](#)

907 You are standing in front of the door at BCA - You have the keys white blue . None of your keys opens the east door. None of your keys opens the south door. You can look around [810](#)

908 You are standing in front of the door at CAB - You have the keys brown orange . None of your keys opens the hatch in the floor. You can look around [215](#)

909 You are standing in front of the door at CBA - You have the keys gray olive . None of your keys opens the north door. None of your keys opens the hatch in the ceiling. You can look around [1039](#)

910 You are standing in front of the door at CAA - You have the keys white coral . None of your keys opens the south door. None of your keys opens the hatch in the ceiling. You can look around [827](#)

911 You are standing in front of the door at BCA - You have the keys rust coral . You can open the door with the coral key and go east [173](#) None of your keys opens the south door. You can look around [801](#)

912 You are standing next to the dwarf at CDA. You have the cream key. Hello, my name is Ruvolin Windsunder . The dwarf says: "I would give you the keys violet blue for your keys." If you accept it go to [617](#) . The dwarf says: "I would give you the keys cream white for your keys." If you accept it go to [824](#) . The dwarf says: "I would give you the keys black gray for your keys." If you accept it go to [694](#) . The dwarf says: "I would give you the keys violet white for your keys." If you accept it go to [429](#) . You can look around [885](#)

913 You are standing in front of the door at BBA - You have the keys cream black . None

of your keys opens the north door. None of your keys opens the hatch in the ceiling. You can look around [359](#)

914 You are standing next to the dwarf at DAA. You have the keys cream white . Hello, my name is Saduc Ironbrow . The dwarf says: "I would give you the keys white orange for your keys." If you accept it go to [479](#) . The dwarf says: "I would give you the peach key for your keys." If you accept it go to [396](#) . The dwarf says: "I would give you the keys peach coral for your keys." If you accept it go to [360](#) . The dwarf says: "I would give you the keys white rust for your keys." If you accept it go to [36](#) . You can look around [379](#)

915 You are standing in front of the door at ACB - You have the keys gray olive . None of your keys opens the hatch in the floor. You can look around [816](#)

916 You are standing in front of the door at CCA - You have the keys coral orange . You can open the door with the coral key and go west [1120](#) You can look around [321](#)

917 You are standing next to the dwarf at DAA. You have the brown key. Hello, my name is Saduc Ironbrow . The dwarf says: "I would give you the keys white gray for your keys." If you accept it go to [208](#) . The dwarf says: "I would give you the keys brown gray for your keys." If you accept it go to [831](#) . The dwarf says: "I would give you the keys violet brown for your keys." If you accept it go to [1170](#) . The dwarf says: "I would give you the keys cream peach for your keys." If you accept it go to [968](#) . The dwarf says: "I would give you the keys brown blue for your keys." If you accept it go to [365](#) . The dwarf says: "I would give you the keys brown rust for your keys." If you accept it go to [14](#) . The dwarf says: "I would give you the keys violet peach for your keys." If you accept it go to [790](#) . The dwarf says: "I would give you the keys peach rust for your keys." If you accept it go to [770](#) . The dwarf says: "I would give you the keys brown white for your keys." If you accept it go to [171](#) . You can look around [248](#)

918 You are standing in a small room. Apart from you there is a dwarf at ABB here. There is a door DBB in the southern wall. There are 3 hatches in the floor. BBB CAB CBB . You have the peach key. What do you want to do? Talk with the dwarf - go to [284](#) Go to the field BBB - [582](#) Go to the field CAB - [83](#) Go to the field CBB - [838](#) Go to the field DBB - [233](#)

919 You are standing in front of the door at DCA - You have the keys brown rust . None of your keys opens the south door. None of your keys opens the hatch in the ceiling. You can look around [1109](#)

920 You are standing in a corridor leading from east to west. Apart from you there is a dwarf at CDA here. There are 2 door in the northern wall. BDA DDA . There is a hatch ADA in the ceiling. You have the keys black peach . What do you want to do? Talk with the dwarf - go to [836](#) Go to the field ADA - [1240](#) Go to the field BDA - [1091](#) Go to the field DDA - [782](#)

921 You are standing in a small room. Apart from you there is a dwarf at ACA here. There is a door BBA in the northern wall. There is a door BCA in the eastern wall. There is a door BCA in the southern wall. There are 2 hatches in the ceiling. ACA BBA . You have the white key. What do you want to do? Talk with the dwarf - go to [1100](#) Go to the field ACA - [813](#) Go to the field BBA - [666](#) Go to the field BCA - [1239](#)

922 You are standing next to the dwarf at CDA. You have the keys violet gray . Hello, my

name is Ruvolin Windsunder . The dwarf does not accept any exchange. You can look around [439](#)

923 You are standing in a small room. Apart from you there is a dwarf at ABB here. There is a door DBB in the southern wall. There are 3 hatches in the floor. BBB CAB CBB . You have the keys rust olive . What do you want to do? Talk with the dwarf - go to [19](#) Go to the field BBB - [979](#) Go to the field CAB - [93](#) Go to the field CBB - [498](#) Go to the field DBB - [116](#)

924 You are standing next to the dwarf at ABB. You have the keys rust blue . Hello, my name is Rukhon Copperbrewer . The dwarf does not accept any exchange. You can look around [399](#)

925 You are standing in front of the door at DCA - You have the keys cream coral . None of your keys opens the south door. None of your keys opens the hatch in the ceiling. You can look around [240](#)

926 You are standing in front of the door at DCA - You have the keys cream brown . None of your keys opens the south door. None of your keys opens the hatch in the ceiling. You can look around [1086](#)

927 You are standing in a corridor leading from east to west. Apart from you there is a dwarf at CDA here. There are 2 door in the northern wall. BDA DDA . There is a hatch ADA in the ceiling. You have the violet key. What do you want to do? Talk with the dwarf - go to [645](#) Go to the field ADA - [820](#) Go to the field BDA - [90](#) Go to the field DDA - [59](#)

928 You are standing in front of the door at ADB - You have the gray key. None of your keys opens the hatch in the floor. You can look around [978](#)

929 You are standing next to the dwarf at DBA. You have the keys gray blue . Hello, my name is Gromdec Barrelblade . The dwarf says: "I would give you the keys cream orange for your keys." If you accept it go to [847](#) . The dwarf says: "I would give you the keys peach coral for your keys." If you accept it go to [549](#) . The dwarf says: "I would give you the brown key for your keys." If you accept it go to [597](#) . The dwarf says: "I would give you the keys violet peach for your keys." If you accept it go to [775](#) . You can look around [605](#)

930 You are standing in front of the door at ADA - You have the keys violet peach . None of your keys opens the hatch in the ceiling. You can look around [842](#)

931 You are standing in front of the door at DBB - You have the keys cream orange . None of your keys opens the south door. You can look around [558](#)

932 You are standing next to the dwarf at ABB. You have the keys black peach . Hello, my name is Rukhon Copperbrewer . The dwarf says: "I would give you the keys brown olive for your keys." If you accept it go to [242](#) . The dwarf says: "I would give you the orange key for your keys." If you accept it go to [95](#) . The dwarf says: "I would give you the keys black orange for your keys." If you accept it go to [1139](#) . The dwarf says: "I would give you the keys violet olive for your keys." If you accept it go to [814](#) . The dwarf says: "I would give you the keys peach gray for your keys." If you accept it go to [204](#) . The dwarf says: "I would give you the keys peach rust for your keys." If you accept it go to [468](#) . You can look around [406](#)

933 You are standing in front of the door at DDA - You have the keys cream violet . You can open the door with the violet key and go north [158](#) You can look around [1252](#)

934 You are standing in front of the door at BBB - You have the keys peach gray . None of your keys opens the hatch in the floor. You can look around [1206](#)

935 You are standing in front of the door at ACA - You have the coral key. None of your keys opens the hatch in the ceiling. You can look around [65](#)

936 You are standing next to the dwarf at ACA. You have the keys cream white . Hello, my name is Yubrumir Merrygut . The dwarf says: "I would give you the keys gray rust for your keys." If you accept it go to [125](#) . The dwarf says: "I would give you the keys black blue for your keys." If you accept it go to [1050](#) . The dwarf says: "I would give you the rust key for your keys." If you accept it go to [493](#) . You can look around [120](#)

937 You are standing in front of the door at DCA - You have the keys gray olive . None of your keys opens the south door. You can open the hatch with the gray key and ascend to the upper level [1027](#) You can look around [1039](#)

938 You are standing in front of the door at CAA - You have the keys brown orange . You can open the door with the brown key and go south [70](#) None of your keys opens the hatch in the ceiling. You can look around [416](#)

939 You are standing in a small room. Apart from you there is a dwarf at ABB here. There is a door DBB in the southern wall. There are 3 hatches in the floor. BBB CAB CBB . You have the keys white blue . What do you want to do? Talk with the dwarf - go to [990](#) Go to the field BBB - [894](#) Go to the field CAB - [664](#) Go to the field CBB - [96](#) Go to the field DBB - [705](#)

940 You are standing in front of the door at BDA - You have the keys cream black . You can open the door with the black key and go north [277](#) You can look around [134](#)

941 You are standing in front of the door at DBB - You have the orange key. None of your keys opens the south door. You can look around [608](#)

942 You are standing next to the dwarf at ABB. You have the keys white olive . Hello, my name is Rukhon Copperbrewer . The dwarf says: "I would give you the keys rust orange for your keys." If you accept it go to [1245](#) . You can look around [283](#)

943 You are standing in front of the door at ADA - You have the keys black gray . None of your keys opens the hatch in the ceiling. You can look around [716](#)

944 You are standing next to the dwarf at ABB. You have the keys olive orange . Hello, my name is Rukhon Copperbrewer . The dwarf says: "I would give you the keys gray olive for your keys." If you accept it go to [183](#) . The dwarf says: "I would give you the keys white peach for your keys." If you accept it go to [581](#) . You can look around [63](#)

945 You are standing next to the dwarf at DBA. You have the keys violet rust . Hello, my name is Gromdec Barrelblade . The dwarf says: "I would give you the keys cream gray for your

keys." If you accept it go to [35](#) . You can look around [865](#)

946 You are standing next to the dwarf at DBA. You have the keys coral orange . Hello, my name is Gromdec Barrelblade . The dwarf does not accept any exchange. You can look around [321](#)

947 You are standing next to the dwarf at ABB. You have the keys cream peach . Hello, my name is Rukhon Copperbrewer . The dwarf does not accept any exchange. You can look around [1010](#)

948 You are standing next to the dwarf at CDA. You have the keys cream blue . Hello, my name is Ruvolin Windsunder . The dwarf does not accept any exchange. You can look around [880](#)

949 You are standing in front of the door at BAA - You have the keys violet peach . None of your keys opens the south door. You can look around [176](#)

950 You are standing in front of the door at CAB - You have the keys brown peach . You can open the hatch with the peach key and descend to the lower level [715](#) You can look around [433](#)

951 You are standing in front of the door at DBB - You have the keys violet blue . None of your keys opens the south door. You can look around [142](#)

952 You are standing in a small room.Apart from you there is a dwarf at DBA here.There is a door CBA in the northern wall.There is a door DCA in the southern wall.There is a door CCA in the western wall.There are 2 hatches in the ceiling.CBA DCA . You have the keys rust orange . What do you want to do? Talk with the dwarf - go to [376](#) Go to the field CBA - [1153](#) Go to the field CCA - [280](#) Go to the field DCA - [1090](#)

953 You are standing in front of the door at DCA - You have the keys peach coral . None of your keys opens the south door. None of your keys opens the hatch in the ceiling. You can look around [1034](#)

954 You are standing in front of the door at BCA - You have the keys white peach . None of your keys opens the east door. None of your keys opens the south door. You can look around [12](#)

955 You are standing in front of the door at CBA - You have the keys peach coral . None of your keys opens the north door. None of your keys opens the hatch in the ceiling. You can look around [1034](#)

956 You are standing in front of the door at CAA - You have the keys black peach . None of your keys opens the south door. You can open the hatch with the peach key and ascend to the upper level [609](#) You can look around [761](#)

957 You are standing in a small room.Apart from you there is a dwarf at DBA here.There is a door CBA in the northern wall.There is a door DCA in the southern wall.There is a door CCA in the western wall.There are 2 hatches in the ceiling.CBA DCA . You have the keys brown blue . What do you want to do? Talk with the dwarf - go to [1062](#) Go to the field CBA - [160](#) Go

to the field CCA - [866](#) Go to the field DCA - [759](#)

958 You are standing in front of the door at ADA - You have the keys violet blue . None of your keys opens the hatch in the ceiling. You can look around [722](#)

959 You are standing in front of the door at ACA - You have the keys peach coral . None of your keys opens the hatch in the ceiling. You can look around [501](#)

960 You are standing in front of the door at CAB - You have the keys black orange . None of your keys opens the hatch in the floor. You can look around [152](#)

961 You are standing in a small room. Apart from you there is a dwarf at DBA here. There is a door CBA in the northern wall. There is a door DCA in the southern wall. There is a door CCA in the western wall. There are 2 hatches in the ceiling. CBA DCA . You have the keys violet brown . What do you want to do? Talk with the dwarf - go to [1087](#) Go to the field CBA - [1071](#) Go to the field CCA - [963](#) Go to the field DCA - [1077](#)

962 You are standing in front of the door at BCA - You have the rust key. None of your keys opens the east door. None of your keys opens the south door. You can look around [710](#)

963 You are standing in front of the door at CCA - You have the keys violet brown . None of your keys opens the west door. You can look around [961](#)

964 You are standing in front of the door at ACA - You have the keys black coral . None of your keys opens the hatch in the ceiling. You can look around [405](#)

965 You are standing next to the dwarf at ACA. You have the keys brown blue . Hello, my name is Yubrumir Merrygut . The dwarf says: "I would give you the keys black brown for your keys." If you accept it go to [859](#) . The dwarf says: "I would give you the keys white olive for your keys." If you accept it go to [465](#) . The dwarf says: "I would give you the keys coral blue for your keys." If you accept it go to [1074](#) . The dwarf says: "I would give you the keys black peach for your keys." If you accept it go to [1073](#) . The dwarf says: "I would give you the white key for your keys." If you accept it go to [1100](#) . The dwarf says: "I would give you the keys peach blue for your keys." If you accept it go to [511](#) . The dwarf says: "I would give you the keys cream blue for your keys." If you accept it go to [99](#) . The dwarf says: "I would give you the keys cream black for your keys." If you accept it go to [717](#) . The dwarf says: "I would give you the keys white orange for your keys." If you accept it go to [636](#) . The dwarf says: "I would give you the keys cream coral for your keys." If you accept it go to [829](#) . The dwarf says: "I would give you the keys black olive for your keys." If you accept it go to [753](#) . The dwarf says: "I would give you the keys violet rust for your keys." If you accept it go to [995](#) . The dwarf says: "I would give you the keys violet white for your keys." If you accept it go to [693](#) . The dwarf says: "I would give you the keys peach rust for your keys." If you accept it go to [402](#) . You can look around [475](#)

966 You are standing in front of the door at BAA - You have the keys black white . You can open the door with the white key and go south [546](#) You can look around [547](#)

967 You are standing in front of the door at DCA - You have the keys violet orange . You can open the door with the violet key and go south [795](#) None of your keys opens the hatch in the ceiling. You can look around [625](#)

968 You are standing next to the dwarf at DAA. You have the keys cream peach . Hello, my name is Saduc Ironbrow . The dwarf says: "I would give you the keys white gray for your keys." If you accept it go to [208](#) . The dwarf says: "I would give you the keys brown gray for your keys." If you accept it go to [831](#) . The dwarf says: "I would give you the keys violet brown for your keys." If you accept it go to [1170](#) . The dwarf says: "I would give you the keys brown blue for your keys." If you accept it go to [365](#) . The dwarf says: "I would give you the keys brown rust for your keys." If you accept it go to [14](#) . The dwarf says: "I would give you the keys violet peach for your keys." If you accept it go to [790](#) . The dwarf says: "I would give you the keys peach rust for your keys." If you accept it go to [770](#) . The dwarf says: "I would give you the brown key for your keys." If you accept it go to [917](#) . The dwarf says: "I would give you the keys brown white for your keys." If you accept it go to [171](#) . You can look around [1042](#)

969 You are standing in front of the door at ACB - You have the keys violet gray . None of your keys opens the hatch in the floor. You can look around [341](#)

970 You are standing in a small room. Apart from you there is a dwarf at ACA here. There is a door BBA in the northern wall. There is a door BCA in the eastern wall. There is a door BCA in the southern wall. There are 2 hatches in the ceiling. ACA BBA . You have the keys peach rust . What do you want to do? Talk with the dwarf - go to [402](#) Go to the field ACA - [522](#) Go to the field BBA - [15](#) Go to the field BCA - [590](#)

971 You are standing in front of the door at CAA - You have the keys peach orange . None of your keys opens the south door. You can open the hatch with the peach key and ascend to the upper level [553](#) You can look around [1256](#)

972 You are standing in front of the door at BDA - You have the keys black rust . You can open the door with the black key and go north [1236](#) You can look around [776](#)

973 You are standing in front of the door at BDA - You have the keys cream brown . None of your keys opens the north door. You can look around [744](#)

974 You are standing in front of the door at ACB - You have the keys cream orange . None of your keys opens the hatch in the floor. You can look around [423](#)

975 You are standing in front of the door at DCB - You have the keys rust coral . None of your keys opens the north door. None of your keys opens the hatch in the floor. You can look around [585](#)

976 You are standing in a small room. Apart from you there is a dwarf at ACA here. There is a door BBA in the northern wall. There is a door BCA in the eastern wall. There is a door BCA in the southern wall. There are 2 hatches in the ceiling. ACA BBA . You have the keys cream coral . What do you want to do? Talk with the dwarf - go to [829](#) Go to the field ACA - [265](#) Go to the field BBA - [212](#) Go to the field BCA - [1049](#)

977 You are standing in front of the door at CCA - You have the keys black coral . You can open the door with the coral key and go west [700](#) You can look around [57](#)

978 You are standing in a small room. Apart from you there is a dwarf at ACB here. There

is a door DCB in the northern wall. There are 3 hatches in the floor. ACB ADB DCB . You have the gray key. What do you want to do? Talk with the dwarf - go to [1068](#) Go to the field ACB - [428](#) Go to the field ADB - [928](#) Go to the field DCB - [1054](#)

979 You are standing in front of the door at BBB - You have the keys rust olive . None of your keys opens the hatch in the floor. You can look around [923](#)

980 You are standing next to the dwarf at ACB. You have the keys rust coral . Hello, my name is Destrumri Beastbeard . The dwarf does not accept any exchange. You can look around [585](#)

981 You are standing in front of the door at BAA - You have the keys peach gray . None of your keys opens the south door. You can look around [117](#)

982 You are standing in front of the door at BAA - You have the white key. You can open the door with the white key and go south [666](#) You can look around [718](#)

983 You are standing in front of the door at BAA - You have the keys peach orange . None of your keys opens the south door. You can look around [1256](#)

984 You are standing in front of the door at BBB - You have the keys peach coral . None of your keys opens the hatch in the floor. You can look around [1123](#)

985 You are standing in front of the door at DCB - You have the keys gray orange . None of your keys opens the north door. You can open the hatch with the gray key and descend to the lower level [40](#) You can look around [839](#)

986 You are standing in front of the door at BCA - You have the keys rust blue . None of your keys opens the east door. None of your keys opens the south door. You can look around [41](#)

987 You are standing in front of the door at CAB - You have the keys violet peach . You can open the hatch with the peach key and descend to the lower level [91](#) You can look around [1177](#)

988 You are standing in a corridor leading from east to west. Apart from you there is a dwarf at DAA here. There are 2 door in the southern wall. BAA CAA . There is a hatch CAA in the ceiling. You have the keys brown rust . What do you want to do? Talk with the dwarf - go to [14](#) Go to the field BAA - [650](#) Go to the field CAA - [1207](#)

989 You are standing next to the dwarf at ACB. You have the keys cream black . Hello, my name is Destrumri Beastbeard . The dwarf does not accept any exchange. You can look around [1111](#)

990 You are standing next to the dwarf at ABB. You have the keys white blue . Hello, my name is Rukhon Copperbrewer . The dwarf says: "I would give you the olive key for your keys." If you accept it go to [254](#) . You can look around [939](#)

991 You are standing in a small room. Apart from you there is a dwarf at ACA here. There is a door BBA in the northern wall. There is a door BCA in the eastern wall. There is a door BCA

in the southern wall. There are 2 hatches in the ceiling. ACA BBA . You have the keys white coral . What do you want to do? Talk with the dwarf - go to [227](#) Go to the field ACA - [797](#) Go to the field BBA - [594](#) Go to the field BCA - [392](#)

992 You are standing next to the dwarf at DBA. You have the keys brown orange . Hello, my name is Gromdec Barrelblade . The dwarf does not accept any exchange. You can look around [281](#)

993 You are standing in front of the door at DCA - You have the keys gray blue . None of your keys opens the south door. You can open the hatch with the gray key and ascend to the upper level [1157](#) You can look around [605](#)

994 You are standing in a corridor leading from east to west. Apart from you there is a dwarf at CDA here. There are 2 door in the northern wall. BDA DDA . There is a hatch ADA in the ceiling. You have the keys violet orange . What do you want to do? Talk with the dwarf - go to [1165](#) Go to the field ADA - [107](#) Go to the field BDA - [79](#) Go to the field DDA - [795](#)

995 You are standing next to the dwarf at ACA. You have the keys violet rust . Hello, my name is Yubrumir Merrygut . The dwarf says: "I would give you the keys black brown for your keys." If you accept it go to [859](#) . The dwarf says: "I would give you the keys white olive for your keys." If you accept it go to [465](#) . The dwarf says: "I would give you the keys coral blue for your keys." If you accept it go to [1074](#) . The dwarf says: "I would give you the keys black peach for your keys." If you accept it go to [1073](#) . The dwarf says: "I would give you the white key for your keys." If you accept it go to [1100](#) . The dwarf says: "I would give you the keys brown blue for your keys." If you accept it go to [965](#) . The dwarf says: "I would give you the keys peach blue for your keys." If you accept it go to [511](#) . The dwarf says: "I would give you the keys cream blue for your keys." If you accept it go to [99](#) . The dwarf says: "I would give you the keys cream black for your keys." If you accept it go to [717](#) . The dwarf says: "I would give you the keys white orange for your keys." If you accept it go to [636](#) . The dwarf says: "I would give you the keys cream coral for your keys." If you accept it go to [829](#) . The dwarf says: "I would give you the keys black olive for your keys." If you accept it go to [753](#) . The dwarf says: "I would give you the keys violet white for your keys." If you accept it go to [693](#) . The dwarf says: "I would give you the keys peach rust for your keys." If you accept it go to [402](#) . You can look around [569](#)

996 You are standing in front of the door at CBA - You have the keys black brown . You can open the door with the brown key and go north [382](#) None of your keys opens the hatch in the ceiling. You can look around [459](#)

997 You are standing in a small room. Apart from you there is a dwarf at ACB here. There is a door DCB in the northern wall. There are 3 hatches in the floor. ACB ADB DCB . You have the keys peach gray . What do you want to do? Talk with the dwarf - go to [592](#) Go to the field ACB - [286](#) Go to the field ADB - [1038](#) Go to the field DCB - [285](#)

998 You are standing in front of the door at ACB - You have the keys violet rust . You can open the hatch with the rust key and descend to the lower level [133](#) You can look around [306](#)

999 You are standing in front of the door at ACA - You have the keys brown blue . None

of your keys opens the hatch in the ceiling. You can look around [475](#)

1000 You are standing in front of the door at BBB - You have the olive key. None of your keys opens the hatch in the floor. You can look around [535](#)

1001 You are standing in a small room. Apart from you there is a dwarf at ACB here. There is a door DCB in the northern wall. There are 3 hatches in the floor. ACB ADB DCB . You have the keys white gray . What do you want to do? Talk with the dwarf - go to [499](#) Go to the field ACB - [669](#) Go to the field ADB - [823](#) Go to the field DCB - [426](#)

1002 You are standing next to the dwarf at ACB. You have the keys white rust . Hello, my name is Destrumri Beastbeard . The dwarf does not accept any exchange. You can look around [1162](#)

1003 You are standing in front of the door at DBB - You have the keys coral orange . None of your keys opens the south door. You can look around [478](#)

1004 You are standing next to the dwarf at ACB. You have the keys cream peach . Hello, my name is Destrumri Beastbeard . The dwarf says: "I would give you the keys cream olive for your keys." If you accept it go to [1175](#) . The dwarf says: "I would give you the keys white gray for your keys." If you accept it go to [499](#) . You can look around [879](#)

1005 You are standing next to the dwarf at ACB. You have the keys brown olive . Hello, my name is Destrumri Beastbeard . The dwarf does not accept any exchange. You can look around [431](#)

1006 You are standing in front of the door at ADB - You have the keys white olive . None of your keys opens the hatch in the floor. You can look around [1136](#)

1007 You are standing in front of the door at BBB - You have the blue key. You can open the hatch with the blue key and descend to the lower level [1166](#) You can look around [1257](#)

1008 You are standing in front of the door at ACB - You have the keys black olive . None of your keys opens the hatch in the floor. You can look around [563](#)

1009 You are standing in front of the door at CBA - You have the keys olive coral . None of your keys opens the north door. None of your keys opens the hatch in the ceiling. You can look around [1156](#)

1010 You are standing in a small room. Apart from you there is a dwarf at ABB here. There is a door DBB in the southern wall. There are 3 hatches in the floor. BBB CAB CBB . You have the keys cream peach . What do you want to do? Talk with the dwarf - go to [947](#) Go to the field BBB - [235](#) Go to the field CAB - [704](#) Go to the field CBB - [29](#) Go to the field DBB - [419](#)

1011 You are standing in front of the door at CBB - You have the keys brown blue . None of your keys opens the hatch in the floor. You can look around [268](#)

1012 You are standing in front of the door at BBA - You have the keys black olive . None of your keys opens the north door. None of your keys opens the hatch in the ceiling. You can

look around [598](#)

1013 You are standing next to the dwarf at DBA. You have the keys brown rust . Hello, my name is Gromdec Barrelblade . The dwarf says: "I would give you the keys peach gray for your keys." If you accept it go to [749](#) . You can look around [1109](#)

1014 You are standing next to the dwarf at ACB. You have the keys cream rust . Hello, my name is Destrurnri Beastbeard . The dwarf says: "I would give you the keys cream blue for your keys." If you accept it go to [793](#) . You can look around [695](#)

1015 You are standing in front of the door at BBB - You have the keys cream orange . None of your keys opens the hatch in the floor. You can look around [558](#)

1016 You are standing in a small room. Apart from you there is a dwarf at ABB here. There is a door DBB in the southern wall. There are 3 hatches in the floor. BBB CAB CBB . You have the keys peach orange . What do you want to do? Talk with the dwarf - go to [690](#) Go to the field BBB - [1244](#) Go to the field CAB - [553](#) Go to the field CBB - [28](#) Go to the field DBB - [766](#)

1017 You are standing in front of the door at CAA - You have the keys cream white . None of your keys opens the south door. None of your keys opens the hatch in the ceiling. You can look around [379](#)

1018 You are standing in front of the door at DCA - You have the keys brown white . None of your keys opens the south door. None of your keys opens the hatch in the ceiling. You can look around [583](#)

1019 You are standing in front of the door at DCB - You have the keys black olive . You can open the door with the olive key and go north [1118](#) None of your keys opens the hatch in the floor. You can look around [563](#)

1020 You are standing in front of the door at CBB - You have the keys coral orange . You can open the hatch with the orange key and descend to the lower level [555](#) You can look around [478](#)

1021 You are standing in front of the door at CBA - You have the keys violet black . None of your keys opens the north door. None of your keys opens the hatch in the ceiling. You can look around [309](#)

1022 You are standing in front of the door at CBB - You have the keys brown olive . None of your keys opens the hatch in the floor. You can look around [372](#)

1023 You are standing next to the dwarf at CDA. You have the keys cream gray . Hello, my name is Ruvolin Windsunder . The dwarf does not accept any exchange. You can look around [679](#)

1024 You are standing next to the dwarf at CDA. You have the keys violet peach . Hello, my name is Ruvolin Windsunder . The dwarf does not accept any exchange. You can look around [842](#)

1025 You are standing next to the dwarf at DBA. You have the keys white orange . Hello,

my name is Gromdec Barrelblade . The dwarf says: "I would give you the keys black coral for your keys." If you accept it go to [1201](#) . You can look around [334](#)

1026 You are standing in a small room.Apart from you there is a dwarf at ACA here.There is a door BBA in the northern wall.There is a door BCA in the eastern wall.There is a door BCA in the southern wall.There are 2 hatches in the ceiling.ACA BBA . You have the keys coral orange . What do you want to do? Talk with the dwarf - go to [279](#) Go to the field ACA - [686](#) Go to the field BBA - [559](#) Go to the field BCA - [1120](#)

1027 You are standing in front of the door at DCB - You have the keys gray olive . You can open the door with the olive key and go north [648](#) You can open the hatch with the gray key and descend to the lower level [937](#) You can look around [816](#)

1028 You are standing in a small room.Apart from you there is a dwarf at DBA here.There is a door CBA in the northern wall.There is a door DCA in the southern wall.There is a door CCA in the western wall.There are 2 hatches in the ceiling.CBA DCA . You have the keys white gray . What do you want to do? Talk with the dwarf - go to [43](#) Go to the field CBA - [34](#) Go to the field CCA - [17](#) Go to the field DCA - [677](#)

1029 You are standing in front of the door at ACB - You have the keys rust orange . You can open the hatch with the rust key and descend to the lower level [742](#) You can look around [1127](#)

1030 You are standing next to the dwarf at DBA. You have the keys peach orange . Hello, my name is Gromdec Barrelblade . The dwarf does not accept any exchange. You can look around [628](#)

1031 You are standing next to the dwarf at ACA. You have the keys gray blue . Hello, my name is Yubrumir Merrygut . The dwarf does not accept any exchange. You can look around [864](#)

1032 You are standing next to the dwarf at DBA. You have the keys olive orange . Hello, my name is Gromdec Barrelblade . The dwarf says: "I would give you the keys rust orange for your keys." If you accept it go to [376](#) . You can look around [903](#)

1033 You are standing in front of the door at BBA - You have the keys gray rust . None of your keys opens the north door. None of your keys opens the hatch in the ceiling. You can look around [147](#)

1034 You are standing in a small room.Apart from you there is a dwarf at DBA here.There is a door CBA in the northern wall.There is a door DCA in the southern wall.There is a door CCA in the western wall.There are 2 hatches in the ceiling.CBA DCA . You have the keys peach coral . What do you want to do? Talk with the dwarf - go to [549](#) Go to the field CBA - [955](#) Go to the field CCA - [472](#) Go to the field DCA - [953](#)

1035 You are standing in front of the door at DCB - You have the keys violet gray . None of your keys opens the north door. You can open the hatch with the gray key and descend to the lower level [1167](#) You can look around [341](#)

1036 You are standing in a small room. Apart from you there is a dwarf at ABB here. There is a door DBB in the southern wall. There are 3 hatches in the floor. BBB CAB CBB . You have the keys cream olive . What do you want to do? Talk with the dwarf - go to [844](#) Go to the field BBB - [480](#) Go to the field CAB - [778](#) Go to the field CBB - [877](#) Go to the field DBB - [427](#)

1037 You are standing in front of the door at DCA - You have the keys white coral . None of your keys opens the south door. None of your keys opens the hatch in the ceiling. You can look around [1147](#)

1038 You are standing in front of the door at ADB - You have the keys peach gray . None of your keys opens the hatch in the floor. You can look around [997](#)

1039 You are standing in a small room. Apart from you there is a dwarf at DBA here. There is a door CBA in the northern wall. There is a door DCA in the southern wall. There is a door CCA in the western wall. There are 2 hatches in the ceiling. CBA DCA . You have the keys gray olive . What do you want to do? Talk with the dwarf - go to [78](#) Go to the field CBA - [909](#) Go to the field CCA - [371](#) Go to the field DCA - [937](#)

1040 You are standing in front of the door at CBB - You have the keys peach rust . None of your keys opens the hatch in the floor. You can look around [573](#)

1041 You are standing next to the dwarf at ACA. You have the keys orange blue . Hello, my name is Yubrumir Merrygut . The dwarf does not accept any exchange. You can look around [383](#)

1042 You are standing in a corridor leading from east to west. Apart from you there is a dwarf at DAA here. There are 2 door in the southern wall. BAA CAA . There is a hatch CAA in the ceiling. You have the keys cream peach . What do you want to do? Talk with the dwarf - go to [968](#) Go to the field BAA - [20](#) Go to the field CAA - [108](#)

1043 You are standing in front of the door at DBB - You have the keys white orange . None of your keys opens the south door. You can look around [1104](#)

1044 You are standing in front of the door at ACA - You have the keys black white . None of your keys opens the hatch in the ceiling. You can look around [30](#)

1045 You are standing next to the dwarf at ABB. You have the keys cream blue . Hello, my name is Rukhon Copperbrewer . The dwarf does not accept any exchange. You can look around [1248](#)

1046 You are standing next to the dwarf at ACB. You have the keys white olive . Hello, my name is Destrumri Beastbeard . The dwarf says: "I would give you the keys peach olive for your keys." If you accept it go to [1197](#) . You can look around [1136](#)

1047 You are standing in front of the door at CAA - You have the keys white rust . None of your keys opens the south door. None of your keys opens the hatch in the ceiling. You can look around [746](#)

1048 You are standing in front of the door at DCA - You have the keys violet peach . You can open the door with the violet key and go south [192](#) None of your keys opens the hatch in

the ceiling. You can look around [711](#)

1049 You are standing in front of the door at BCA - You have the keys cream coral . You can open the door with the coral key and go east [588](#) None of your keys opens the south door. You can look around [976](#)

1050 You are standing next to the dwarf at ACA. You have the keys black blue . Hello, my name is Yubrumir Merrygut . The dwarf says: "I would give you the keys cream white for your keys." If you accept it go to [936](#) . The dwarf says: "I would give you the keys gray rust for your keys." If you accept it go to [125](#) . The dwarf says: "I would give you the rust key for your keys." If you accept it go to [493](#) . You can look around [788](#)

1051 You are standing in a small room. Apart from you there is a dwarf at DBA here. There is a door CBA in the northern wall. There is a door DCA in the southern wall. There is a door CCA in the western wall. There are 2 hatches in the ceiling. CBA DCA . You have the keys coral blue . What do you want to do? Talk with the dwarf - go to [882](#) Go to the field CBA - [1238](#) Go to the field CCA - [1132](#) Go to the field DCA - [86](#)

1052 You are standing in front of the door at BBA - You have the keys cream rust . None of your keys opens the north door. None of your keys opens the hatch in the ceiling. You can look around [1130](#)

1053 You are standing in front of the door at DDA - You have the keys violet brown . You can open the door with the violet key and go north [1077](#) You can look around [53](#)

1054 You are standing in front of the door at DCB - You have the gray key. None of your keys opens the north door. You can open the hatch with the gray key and descend to the lower level [696](#) You can look around [978](#)

1055 You are standing in front of the door at BCA - You have the keys rust orange . None of your keys opens the east door. None of your keys opens the south door. You can look around [1223](#)

1056 You are standing in front of the door at CBA - You have the keys violet orange . None of your keys opens the north door. You can open the hatch with the orange key and ascend to the upper level [245](#) You can look around [625](#)

1057 You are standing next to the dwarf at DBA. You have the keys violet coral . Hello, my name is Gromdec Barrelblade . The dwarf says: "I would give you the keys violet gray for your keys." If you accept it go to [1097](#) . You can look around [348](#)

1058 You are standing in front of the door at BBB - You have the keys rust orange . None of your keys opens the hatch in the floor. You can look around [209](#)

1059 You are standing in front of the door at CAA - You have the keys peach gray . None of your keys opens the south door. You can open the hatch with the peach key and ascend to the upper level [450](#) You can look around [117](#)

1060 You are standing in front of the door at BBA - You have the keys black gray . None of your keys opens the north door. None of your keys opens the hatch in the ceiling. You can

look around [313](#)

1061 You are standing in front of the door at CBA - You have the keys violet gray . None of your keys opens the north door. None of your keys opens the hatch in the ceiling. You can look around [616](#)

1062 You are standing next to the dwarf at DBA. You have the keys brown blue . Hello, my name is Gromdec Barrelblade . The dwarf does not accept any exchange. You can look around [957](#)

1063 You are standing in front of the door at ACB - You have the keys olive orange . None of your keys opens the hatch in the floor. You can look around [732](#)

1064 You are standing in front of the door at ADB - You have the keys gray coral . None of your keys opens the hatch in the floor. You can look around [367](#)

1065 You are standing in front of the door at BBB - You have the keys brown olive . None of your keys opens the hatch in the floor. You can look around [372](#)

1066 You are standing in front of the door at DCB - You have the keys white rust . None of your keys opens the north door. None of your keys opens the hatch in the floor. You can look around [1162](#)

1067 You are standing in front of the door at ADB - You have the keys gray orange . None of your keys opens the hatch in the floor. You can look around [839](#)

1068 You are standing next to the dwarf at ACB. You have the gray key. Hello, my name is Destrumri Beastbeard . The dwarf says: "I would give you the keys black gray for your keys." If you accept it go to [1235](#) . You can look around [978](#)

1069 You are standing in front of the door at ADB - You have the keys olive orange . None of your keys opens the hatch in the floor. You can look around [732](#)

1070 You are standing in front of the door at ADA - You have the black key. None of your keys opens the hatch in the ceiling. You can look around [337](#)

1071 You are standing in front of the door at CBA - You have the keys violet brown . You can open the door with the brown key and go north [807](#) None of your keys opens the hatch in the ceiling. You can look around [961](#)

1072 You are standing next to the dwarf at DBA. You have the keys gray rust . Hello, my name is Gromdec Barrelblade . The dwarf does not accept any exchange. You can look around [200](#)

1073 You are standing next to the dwarf at ACA. You have the keys black peach . Hello, my name is Yubrumir Merrygut . The dwarf says: "I would give you the keys black brown for your keys." If you accept it go to [859](#) . The dwarf says: "I would give you the keys white olive for your keys." If you accept it go to [465](#) . The dwarf says: "I would give you the keys coral blue for your keys." If you accept it go to [1074](#) . The dwarf says: "I would give you the white

key for your keys." If you accept it go to [1100](#) . The dwarf says: "I would give you the keys brown blue for your keys." If you accept it go to [965](#) . The dwarf says: "I would give you the keys peach blue for your keys." If you accept it go to [511](#) . The dwarf says: "I would give you the keys cream blue for your keys." If you accept it go to [99](#) . The dwarf says: "I would give you the keys cream black for your keys." If you accept it go to [717](#) . The dwarf says: "I would give you the keys white orange for your keys." If you accept it go to [636](#) . The dwarf says: "I would give you the keys cream coral for your keys." If you accept it go to [829](#) . The dwarf says: "I would give you the keys black olive for your keys." If you accept it go to [753](#) . The dwarf says: "I would give you the keys violet rust for your keys." If you accept it go to [995](#) . The dwarf says: "I would give you the keys violet white for your keys." If you accept it go to [693](#) . The dwarf says: "I would give you the keys peach rust for your keys." If you accept it go to [402](#) . You can look around [699](#)

1074 You are standing next to the dwarf at ACA. You have the keys coral blue . Hello, my name is Yubrumir Merrygut . The dwarf says: "I would give you the keys black brown for your keys." If you accept it go to [859](#) . The dwarf says: "I would give you the keys white olive for your keys." If you accept it go to [465](#) . The dwarf says: "I would give you the keys black peach for your keys." If you accept it go to [1073](#) . The dwarf says: "I would give you the white key for your keys." If you accept it go to [1100](#) . The dwarf says: "I would give you the keys brown blue for your keys." If you accept it go to [965](#) . The dwarf says: "I would give you the keys peach blue for your keys." If you accept it go to [511](#) . The dwarf says: "I would give you the keys cream blue for your keys." If you accept it go to [99](#) . The dwarf says: "I would give you the keys cream black for your keys." If you accept it go to [717](#) . The dwarf says: "I would give you the keys white orange for your keys." If you accept it go to [636](#) . The dwarf says: "I would give you the keys cream coral for your keys." If you accept it go to [829](#) . The dwarf says: "I would give you the keys black olive for your keys." If you accept it go to [753](#) . The dwarf says: "I would give you the keys violet rust for your keys." If you accept it go to [995](#) . The dwarf says: "I would give you the keys violet white for your keys." If you accept it go to [693](#) . The dwarf says: "I would give you the keys peach rust for your keys." If you accept it go to [402](#) . You can look around [443](#)

1075 You are standing in front of the door at ACB - You have the keys gray orange . None of your keys opens the hatch in the floor. You can look around [839](#)

1076 You are standing in front of the door at DCA - You have the keys olive orange . None of your keys opens the south door. None of your keys opens the hatch in the ceiling. You can look around [903](#)

1077 You are standing in front of the door at DCA - You have the keys violet brown . You can open the door with the violet key and go south [1053](#) None of your keys opens the hatch in the ceiling. You can look around [961](#)

1078 You are standing in front of the door at CCA - You have the keys brown rust . None of your keys opens the west door. You can look around [1109](#)

1079 You are standing in front of the door at DBB - You have the keys peach gray . None of your keys opens the south door. You can look around [1206](#)

1080 You are standing next to the dwarf at ABB. You have the keys orange blue . Hello, my name is Rukhon Copperbrewer . The dwarf does not accept any exchange. You can look

around [232](#)

1081 You are standing in front of the door at BBB - You have the keys gray orange . None of your keys opens the hatch in the floor. You can look around [719](#)

1082 You are standing in front of the door at BAA - You have the keys brown gray . None of your keys opens the south door. You can look around [384](#)

1083 You are standing in front of the door at ACA - You have the keys black rust . You can open the hatch with the rust key and ascend to the upper level [77](#) You can look around [195](#)

1084 You are standing next to the dwarf at ACA. You have the keys black white . Hello, my name is Yubrumir Merrygut . The dwarf does not accept any exchange. You can look around [30](#)

1085 You are standing in front of the door at BBB - You have the keys violet olive . None of your keys opens the hatch in the floor. You can look around [197](#)

1086 You are standing in a small room. Apart from you there is a dwarf at DBA here. There is a door CBA in the northern wall. There is a door DCA in the southern wall. There is a door CCA in the western wall. There are 2 hatches in the ceiling. CBA DCA . You have the keys cream brown . What do you want to do? Talk with the dwarf - go to [222](#) Go to the field CBA - [261](#) Go to the field CCA - [172](#) Go to the field DCA - [926](#)

1087 You are standing next to the dwarf at DBA. You have the keys violet brown . Hello, my name is Gromdec Barrelblade . The dwarf does not accept any exchange. You can look around [961](#)

1088 You are standing in front of the door at CAB - You have the keys brown olive . None of your keys opens the hatch in the floor. You can look around [372](#)

1089 You are standing in a corridor leading from east to west. Apart from you there is a dwarf at DAA here. There are 2 door in the southern wall. BAA CAA . There is a hatch CAA in the ceiling. You have the keys cream brown . What do you want to do? Talk with the dwarf - go to [1119](#) Go to the field BAA - [494](#) Go to the field CAA - [528](#)

1090 You are standing in front of the door at DCA - You have the keys rust orange . None of your keys opens the south door. None of your keys opens the hatch in the ceiling. You can look around [952](#)

1091 You are standing in front of the door at BDA - You have the keys black peach . You can open the door with the black key and go north [1160](#) You can look around [920](#)

1092 You are standing in front of the door at CAA - You have the keys white blue . None of your keys opens the south door. None of your keys opens the hatch in the ceiling. You can look around [185](#)

1093 You are standing in a corridor leading from east to west. Apart from you there is a dwarf at DAA here. There are 2 door in the southern wall. BAA CAA . There is a hatch CAA in the

ceiling. You have the keys violet white . What do you want to do? Talk with the dwarf - go to [1134](#) Go to the field BAA - [206](#) Go to the field CAA - [432](#)

1094 You are standing in front of the door at DCA - You have the keys violet olive . You can open the door with the violet key and go south [738](#) None of your keys opens the hatch in the ceiling. You can look around [223](#)

1095 You are standing in front of the door at ADA - You have the keys black blue . None of your keys opens the hatch in the ceiling. You can look around [828](#)

1096 You are standing next to the dwarf at ABB. You have the keys black blue . Hello, my name is Rukhon Copperbrewer . The dwarf does not accept any exchange. You can look around [855](#)

1097 You are standing next to the dwarf at DBA. You have the keys violet gray . Hello, my name is Gromdec Barrelblade . The dwarf says: "I would give you the keys violet coral for your keys." If you accept it go to [1057](#) . You can look around [616](#)

1098 You are standing in front of the door at ACB - You have the keys cream peach . None of your keys opens the hatch in the floor. You can look around [879](#)

1099 You are standing in front of the door at ADB - You have the keys olive coral . None of your keys opens the hatch in the floor. You can look around [1233](#)

1100 You are standing next to the dwarf at ACA. You have the white key. Hello, my name is Yubrumir Merrygut . The dwarf says: "I would give you the keys black brown for your keys." If you accept it go to [859](#) . The dwarf says: "I would give you the keys white olive for your keys." If you accept it go to [465](#) . The dwarf says: "I would give you the keys coral blue for your keys." If you accept it go to [1074](#) . The dwarf says: "I would give you the keys black peach for your keys." If you accept it go to [1073](#) . The dwarf says: "I would give you the keys brown blue for your keys." If you accept it go to [965](#) . The dwarf says: "I would give you the keys peach blue for your keys." If you accept it go to [511](#) . The dwarf says: "I would give you the keys cream blue for your keys." If you accept it go to [99](#) . The dwarf says: "I would give you the keys cream black for your keys." If you accept it go to [717](#) . The dwarf says: "I would give you the keys white orange for your keys." If you accept it go to [636](#) . The dwarf says: "I would give you the keys cream coral for your keys." If you accept it go to [829](#) . The dwarf says: "I would give you the keys black olive for your keys." If you accept it go to [753](#) . The dwarf says: "I would give you the keys violet rust for your keys." If you accept it go to [995](#) . The dwarf says: "I would give you the keys violet white for your keys." If you accept it go to [693](#) . The dwarf says: "I would give you the keys peach rust for your keys." If you accept it go to [402](#) . You can look around [921](#)

1101 You are standing next to the dwarf at CDA. You have the keys violet black . Hello, my name is Ruvolin Windsunder . The dwarf says: "I would give you the keys cream rust for your keys." If you accept it go to [906](#) . You can look around [745](#)

1102 You are standing in front of the door at BDA - You have the keys black gray . You can open the door with the black key and go north [560](#) You can look around [716](#)

1103 You are standing in front of the door at ADB - You have the rust key. None of your

keys opens the hatch in the floor. You can look around [534](#)

1104 You are standing in a small room. Apart from you there is a dwarf at ABB here. There is a door DBB in the southern wall. There are 3 hatches in the floor. BBB CAB CBB . You have the keys white orange . What do you want to do? Talk with the dwarf - go to [106](#) Go to the field BBB - [168](#) Go to the field CAB - [329](#) Go to the field CBB - [680](#) Go to the field DBB - [1043](#)

1105 You are standing in front of the door at BDA - You have the keys black blue . You can open the door with the black key and go north [1115](#) You can look around [828](#)

1106 You are standing in front of the door at ADA - You have the cream key. You can open the hatch with the cream key and ascend to the upper level [663](#) You can look around [885](#)

1107 You are standing in front of the door at CBA - You have the keys cream violet . None of your keys opens the north door. None of your keys opens the hatch in the ceiling. You can look around [415](#)

1108 You are standing in front of the door at CBA - You have the keys cream orange . None of your keys opens the north door. You can open the hatch with the orange key and ascend to the upper level [488](#) You can look around [350](#)

1109 You are standing in a small room. Apart from you there is a dwarf at DBA here. There is a door CBA in the northern wall. There is a door DCA in the southern wall. There is a door CCA in the western wall. There are 2 hatches in the ceiling. CBA DCA . You have the keys brown rust . What do you want to do? Talk with the dwarf - go to [1013](#) Go to the field CBA - [1112](#) Go to the field CCA - [1078](#) Go to the field DCA - [919](#)

1110 You are standing in front of the door at DCA - You have the orange key. None of your keys opens the south door. None of your keys opens the hatch in the ceiling. You can look around [492](#)

1111 You are standing in a small room. Apart from you there is a dwarf at ACB here. There is a door DCB in the northern wall. There are 3 hatches in the floor. ACB ADB DCB . You have the keys cream black . What do you want to do? Talk with the dwarf - go to [989](#) Go to the field ACB - [830](#) Go to the field ADB - [678](#) Go to the field DCB - [740](#)

1112 You are standing in front of the door at CBA - You have the keys brown rust . You can open the door with the brown key and go north [1207](#) None of your keys opens the hatch in the ceiling. You can look around [1109](#)

1113 You are standing in front of the door at CBA - You have the keys gray orange . None of your keys opens the north door. You can open the hatch with the orange key and ascend to the upper level [141](#) You can look around [526](#)

1114 You are standing in front of the door at BCA - You have the keys brown rust . None of your keys opens the east door. None of your keys opens the south door. You can look around [565](#)

1115 You are standing in front of the door at BCA - You have the keys black blue . None of your keys opens the east door. You can open the door with the black key and go south [1105](#)

You can look around [788](#)

1116 You are standing in front of the door at ADB - You have the keys cream coral . You can open the hatch with the cream key and descend to the lower level [860](#) You can look around [238](#)

1117 You are standing in a small room.Apart from you there is a dwarf at ACA here.There is a door BBA in the northern wall.There is a door BCA in the eastern wall.There is a door BCA in the southern wall.There are 2 hatches in the ceiling.ACA BBA . You have the black key. What do you want to do? Talk with the dwarf - go to [194](#) Go to the field ACA - [655](#) Go to the field BBA - [150](#) Go to the field BCA - [60](#)

1118 You are standing in front of the door at DBB - You have the keys black olive . You can open the door with the olive key and go south [1019](#) You can look around [1122](#)

1119 You are standing next to the dwarf at DAA. You have the keys cream brown . Hello, my name is Saduc Ironbrow . The dwarf says: "I would give you the keys brown olive for your keys." If you accept it go to [318](#) . You can look around [1089](#)

1120 You are standing in front of the door at BCA - You have the keys coral orange . You can open the door with the coral key and go east [916](#) None of your keys opens the south door. You can look around [1026](#)

1121 You are standing next to the dwarf at ACA. You have the keys white peach . Hello, my name is Yubrumir Merrygut . The dwarf does not accept any exchange. You can look around [12](#)

1122 You are standing in a small room.Apart from you there is a dwarf at ABB here.There is a door DBB in the southern wall.There are 3 hatches in the floor.BBB CAB CBB . You have the keys black olive . What do you want to do? Talk with the dwarf - go to [867](#) Go to the field BBB - [418](#) Go to the field CAB - [145](#) Go to the field CBB - [460](#) Go to the field DBB - [1118](#)

1123 You are standing in a small room.Apart from you there is a dwarf at ABB here.There is a door DBB in the southern wall.There are 3 hatches in the floor.BBB CAB CBB . You have the keys peach coral . What do you want to do? Talk with the dwarf - go to [537](#) Go to the field BBB - [984](#) Go to the field CAB - [287](#) Go to the field CBB - [412](#) Go to the field DBB - [1205](#)

1124 You are standing in front of the door at CBB - You have the keys violet olive . None of your keys opens the hatch in the floor. You can look around [197](#)

1125 You are standing in front of the door at BAA - You have the keys peach coral . None of your keys opens the south door. You can look around [1159](#)

1126 You are standing in front of the door at ADA - You have the keys cream olive . You can open the hatch with the cream key and ascend to the upper level [282](#) You can look around [27](#)

1127 You are standing in a small room.Apart from you there is a dwarf at ACB here.There is a door DCB in the northern wall.There are 3 hatches in the floor.ACB ADB DCB . You have

the keys rust orange . What do you want to do? Talk with the dwarf - go to [119](#) Go to the field ACB - [1029](#) Go to the field ADB - [871](#) Go to the field DCB - [394](#)

1128 You are standing in front of the door at DDA - You have the keys violet blue . You can open the door with the violet key and go north [541](#) You can look around [722](#)

1129 You are standing in front of the door at CAB - You have the keys peach blue . You can open the hatch with the peach key and descend to the lower level [302](#) You can look around [252](#)

1130 You are standing in a small room.Apart from you there is a dwarf at ACA here.There is a door BBA in the northern wall.There is a door BCA in the eastern wall.There is a door BCA in the southern wall.There are 2 hatches in the ceiling.ACA BBA . You have the keys cream rust . What do you want to do? Talk with the dwarf - go to [707](#) Go to the field ACA - [1254](#) Go to the field BBA - [1052](#) Go to the field BCA - [639](#)

1131 You are standing in front of the door at DBB - You have the olive key. You can open the door with the olive key and go south [50](#) You can look around [535](#)

1132 You are standing in front of the door at CCA - You have the keys coral blue . You can open the door with the coral key and go west [385](#) You can look around [1051](#)

1133 You are standing in a corridor leading from east to west.Apart from you there is a dwarf at DAA here.There are 2 door in the southern wall.BAA CAA . There is a hatch CAA in the ceiling. You have the keys brown coral . What do you want to do? Talk with the dwarf - go to [741](#) Go to the field BAA - [726](#) Go to the field CAA - [1186](#)

1134 You are standing next to the dwarf at DAA. You have the keys violet white . Hello, my name is Saduc Ironbrow . The dwarf says: "I would give you the keys brown orange for your keys." If you accept it go to [599](#) . The dwarf says: "I would give you the keys peach orange for your keys." If you accept it go to [819](#) . You can look around [1093](#)

1135 You are standing in front of the door at CBA - You have the keys violet blue . None of your keys opens the north door. None of your keys opens the hatch in the ceiling. You can look around [796](#)

1136 You are standing in a small room.Apart from you there is a dwarf at ACB here.There is a door DCB in the northern wall.There are 3 hatches in the floor.ACB ADB DCB . You have the keys white olive . What do you want to do? Talk with the dwarf - go to [1046](#) Go to the field ACB - [369](#) Go to the field ADB - [1006](#) Go to the field DCB - [243](#)

1137 You are standing in front of the door at BBA - You have the keys black orange . None of your keys opens the north door. None of your keys opens the hatch in the ceiling. You can look around [1149](#)

1138 You are standing in a small room.Apart from you there is a dwarf at DBA here.There is a door CBA in the northern wall.There is a door DCA in the southern wall.There is a door CCA in the western wall.There are 2 hatches in the ceiling.CBA DCA . You have the keys rust coral . What do you want to do? Talk with the dwarf - go to [182](#) Go to the field CBA - [225](#) Go

to the field CCA - [173](#) Go to the field DCA - [430](#)

1139 You are standing next to the dwarf at ABB. You have the keys black orange . Hello, my name is Rukhon Copperbrewer . The dwarf says: "I would give you the keys brown olive for your keys." If you accept it go to [242](#) . The dwarf says: "I would give you the orange key for your keys." If you accept it go to [95](#) . The dwarf says: "I would give you the keys black peach for your keys." If you accept it go to [932](#) . The dwarf says: "I would give you the keys violet olive for your keys." If you accept it go to [814](#) . The dwarf says: "I would give you the keys peach gray for your keys." If you accept it go to [204](#) . The dwarf says: "I would give you the keys peach rust for your keys." If you accept it go to [468](#) . You can look around [152](#)

1140 You are standing in front of the door at BAA - You have the keys white orange . You can open the door with the white key and go south [75](#) You can look around [178](#)

1141 You are standing in front of the door at CAB - You have the keys violet blue . None of your keys opens the hatch in the floor. You can look around [142](#)

1142 You are standing next to the dwarf at CDA. You have the keys cream black . Hello, my name is Ruvolin Windsunder . The dwarf does not accept any exchange. You can look around [134](#)

1143 You are standing in front of the door at ACB - You have the keys brown gray . None of your keys opens the hatch in the floor. You can look around [682](#)

1144 You are standing in front of the door at CAA - You have the keys brown olive . You can open the door with the brown key and go south [144](#) None of your keys opens the hatch in the ceiling. You can look around [1190](#)

1145 You are standing in front of the door at CCA - You have the keys orange blue . None of your keys opens the west door. You can look around [473](#)

1146 You are standing in front of the door at BDA - You have the keys black white . You can open the door with the black key and go north [631](#) You can look around [377](#)

1147 You are standing in a small room. Apart from you there is a dwarf at DBA here. There is a door CBA in the northern wall. There is a door DCA in the southern wall. There is a door CCA in the western wall. There are 2 hatches in the ceiling. CBA DCA . You have the keys white coral . What do you want to do? Talk with the dwarf - go to [217](#) Go to the field CBA - [307](#) Go to the field CCA - [812](#) Go to the field DCA - [1037](#)

1148 You are standing in front of the door at CBA - You have the keys peach orange . None of your keys opens the north door. You can open the hatch with the orange key and ascend to the upper level [28](#) You can look around [628](#)

1149 You are standing in a small room. Apart from you there is a dwarf at ACA here. There is a door BBA in the northern wall. There is a door BCA in the eastern wall. There is a door BCA in the southern wall. There are 2 hatches in the ceiling. ACA BBA . You have the keys black orange . What do you want to do? Talk with the dwarf - go to [256](#) Go to the field ACA - [637](#) Go to the field BBA - [1137](#) Go to the field BCA - [462](#)

1150 You are standing in front of the door at CBA - You have the keys peach gray . None of your keys opens the north door. None of your keys opens the hatch in the ceiling. You can look around [1189](#)

1151 You are standing in front of the door at ADB - You have the keys gray rust . None of your keys opens the hatch in the floor. You can look around [881](#)

1152 You are standing in front of the door at ADA - You have the keys violet coral . None of your keys opens the hatch in the ceiling. You can look around [323](#)

1153 You are standing in front of the door at CBA - You have the keys rust orange . None of your keys opens the north door. You can open the hatch with the orange key and ascend to the upper level [6](#) You can look around [952](#)

1154 You are standing in front of the door at ADA - You have the keys violet rust . None of your keys opens the hatch in the ceiling. You can look around [673](#)

1155 You are standing in front of the door at DDA - You have the keys black coral . None of your keys opens the north door. You can look around [698](#)

1156 You are standing in a small room. Apart from you there is a dwarf at DBA here. There is a door CBA in the northern wall. There is a door DCA in the southern wall. There is a door CCA in the western wall. There are 2 hatches in the ceiling. CBA DCA . You have the keys olive coral . What do you want to do? Talk with the dwarf - go to [904](#) Go to the field CBA - [1009](#) Go to the field CCA - [1227](#) Go to the field DCA - [7](#)

1157 You are standing in front of the door at DCB - You have the keys gray blue . None of your keys opens the north door. You can open the hatch with the gray key and descend to the lower level [993](#) You can look around [109](#)

1158 You are standing in a small room. Apart from you there is a dwarf at ACA here. There is a door BBA in the northern wall. There is a door BCA in the eastern wall. There is a door BCA in the southern wall. There are 2 hatches in the ceiling. ACA BBA . You have the keys rust olive . What do you want to do? Talk with the dwarf - go to [153](#) Go to the field ACA - [763](#) Go to the field BBA - [69](#) Go to the field BCA - [689](#)

1159 You are standing in a corridor leading from east to west. Apart from you there is a dwarf at DAA here. There are 2 door in the southern wall. BAA CAA . There is a hatch CAA in the ceiling. You have the keys peach coral . What do you want to do? Talk with the dwarf - go to [360](#) Go to the field BAA - [1125](#) Go to the field CAA - [82](#)

1160 You are standing in front of the door at BCA - You have the keys black peach . None of your keys opens the east door. You can open the door with the black key and go south [1091](#) You can look around [699](#)

1161 You are standing in front of the door at CAB - You have the keys brown blue . None of your keys opens the hatch in the floor. You can look around [268](#)

1162 You are standing in a small room. Apart from you there is a dwarf at ACB here. There is a door DCB in the northern wall. There are 3 hatches in the floor. ACB ADB DCB . You have the keys white rust . What do you want to do? Talk with the dwarf - go to [1002](#) Go to the field ACB - [421](#) Go to the field ADB - [500](#) Go to the field DCB - [1066](#)

1163 You are standing next to the dwarf at ACB. You have the keys cream violet . Hello, my name is Destrumri Beastbeard . The dwarf does not accept any exchange. You can look around [122](#)

1164 You are standing in front of the door at DCB - You have the keys peach rust . None of your keys opens the north door. None of your keys opens the hatch in the floor. You can look around [646](#)

1165 You are standing next to the dwarf at CDA. You have the keys violet orange . Hello, my name is Ruvolin Windsunder . The dwarf says: "I would give you the keys violet rust for your keys." If you accept it go to [236](#) . You can look around [994](#)

1166 You are standing in front of the door at BBA - You have the blue key. None of your keys opens the north door. You can open the hatch with the blue key and ascend to the upper level [1007](#) You can look around [1237](#)

1167 You are standing in front of the door at DCA - You have the keys violet gray . You can open the door with the violet key and go south [638](#) You can open the hatch with the gray key and ascend to the upper level [1035](#) You can look around [616](#)

1168 You are standing in front of the door at DBB - You have the blue key. None of your keys opens the south door. You can look around [1257](#)

1169 You are standing in front of the door at DCA - You have the keys black brown . None of your keys opens the south door. None of your keys opens the hatch in the ceiling. You can look around [459](#)

1170 You are standing next to the dwarf at DAA. You have the keys violet brown . Hello, my name is Saduc Ironbrow . The dwarf says: "I would give you the keys white gray for your keys." If you accept it go to [208](#) . The dwarf says: "I would give you the keys brown gray for your keys." If you accept it go to [831](#) . The dwarf says: "I would give you the keys cream peach for your keys." If you accept it go to [968](#) . The dwarf says: "I would give you the keys brown blue for your keys." If you accept it go to [365](#) . The dwarf says: "I would give you the keys brown rust for your keys." If you accept it go to [14](#) . The dwarf says: "I would give you the keys violet peach for your keys." If you accept it go to [790](#) . The dwarf says: "I would give you the keys peach rust for your keys." If you accept it go to [770](#) . The dwarf says: "I would give you the brown key for your keys." If you accept it go to [917](#) . The dwarf says: "I would give you the keys brown white for your keys." If you accept it go to [171](#) . You can look around [905](#)

1171 You are standing next to the dwarf at ACB. You have the keys olive blue . Hello, my name is Destrumri Beastbeard . The dwarf does not accept any exchange. You can look around [566](#)

1172 You are standing next to the dwarf at CDA. You have the keys violet coral . Hello,

my name is Ruvolin Windsunder . The dwarf says: "I would give you the keys black coral for your keys." If you accept it go to [390](#) . You can look around [323](#)

1173 You are standing in front of the door at BDA - You have the keys violet peach . None of your keys opens the north door. You can look around [842](#)

1174 You are standing in front of the door at BCA - You have the keys violet coral . You can open the door with the coral key and go east [275](#) None of your keys opens the south door. You can look around [269](#)

1175 You are standing next to the dwarf at ACB. You have the keys cream olive . Hello, my name is Destrumri Beastbeard . The dwarf says: "I would give you the keys cream peach for your keys." If you accept it go to [1004](#) . The dwarf says: "I would give you the keys white gray for your keys." If you accept it go to [499](#) . You can look around [843](#)

1176 You are standing next to the dwarf at ACA. You have the keys rust orange . Hello, my name is Yubrumir Merrygut . The dwarf says: "I would give you the keys white coral for your keys." If you accept it go to [227](#) . You can look around [1223](#)

1177 You are standing in a small room. Apart from you there is a dwarf at ABB here. There is a door DBB in the southern wall. There are 3 hatches in the floor. BBB CAB CBB . You have the keys violet peach . What do you want to do? Talk with the dwarf - go to [139](#) Go to the field BBB - [856](#) Go to the field CAB - [987](#) Go to the field CBB - [216](#) Go to the field DBB - [11](#)

1178 You are standing next to the dwarf at ACB. You have the keys gray olive . Hello, my name is Destrumri Beastbeard . The dwarf does not accept any exchange. You can look around [816](#)

1179 You are standing in front of the door at BBB - You have the keys peach olive . None of your keys opens the hatch in the floor. You can look around [771](#)

1180 You are standing in front of the door at CAB - You have the olive key. None of your keys opens the hatch in the floor. You can look around [535](#)

1181 You are standing in front of the door at BBB - You have the keys olive coral . None of your keys opens the hatch in the floor. You can look around [9](#)

1182 You are standing in front of the door at ADA - You have the keys black brown . None of your keys opens the hatch in the ceiling. You can look around [899](#)

1183 You are standing in front of the door at CCA - You have the keys violet gray . None of your keys opens the west door. You can look around [616](#)

1184 You are standing in front of the door at ACB - You have the keys brown olive . None of your keys opens the hatch in the floor. You can look around [431](#)

1185 You are standing in front of the door at ADA - You have the keys black white . None of your keys opens the hatch in the ceiling. You can look around [377](#)

1186 You are standing in front of the door at CAA - You have the keys brown coral . You can open the door with the brown key and go south [196](#) None of your keys opens the hatch in the ceiling. You can look around [1133](#)

1187 You are standing in front of the door at DBB - You have the keys peach olive . You can open the door with the olive key and go south [380](#) You can look around [771](#)

1188 You are standing in front of the door at BBB - You have the keys white olive . None of your keys opens the hatch in the floor. You can look around [283](#)

1189 You are standing in a small room.Apart from you there is a dwarf at DBA here.There is a door CBA in the northern wall.There is a door DCA in the southern wall.There is a door CCA in the western wall.There are 2 hatches in the ceiling.CBA DCA . You have the keys peach gray . What do you want to do? Talk with the dwarf - go to [749](#) Go to the field CBA - [1150](#) Go to the field CCA - [349](#) Go to the field DCA - [817](#)

1190 You are standing in a corridor leading from east to west.Apart from you there is a dwarf at DAA here.There are 2 door in the southern wall.BAA CAA . There is a hatch CAA in the ceiling. You have the keys brown olive . What do you want to do? Talk with the dwarf - go to [318](#) Go to the field BAA - [729](#) Go to the field CAA - [1144](#)

1191 You are standing in front of the door at ACB - You have the keys cream gray . None of your keys opens the hatch in the floor. You can look around [259](#)

1192 You are standing in front of the door at CAB - You have the keys rust orange . None of your keys opens the hatch in the floor. You can look around [209](#)

1193 You are standing in front of the door at DDA - You have the keys cream peach . None of your keys opens the north door. You can look around [395](#)

1194 You are standing in a small room.Apart from you there is a dwarf at ACB here.There is a door DCB in the northern wall.There are 3 hatches in the floor.ACB ADB DCB . You have the keys violet olive . What do you want to do? Talk with the dwarf - go to [733](#) Go to the field ACB - [179](#) Go to the field ADB - [127](#) Go to the field DCB - [503](#)

1195 You are standing in front of the door at CAB - You have the keys cream orange . None of your keys opens the hatch in the floor. You can look around [558](#)

1196 You are standing in front of the door at ADA - You have the keys black coral . None of your keys opens the hatch in the ceiling. You can look around [698](#)

1197 You are standing next to the dwarf at ACB. You have the keys peach olive . Hello, my name is Destrumri Beastbeard . The dwarf says: "I would give you the keys white olive for your keys." If you accept it go to [1046](#) . You can look around [1214](#)

1198 You are standing in a corridor leading from east to west.Apart from you there is a dwarf at DAA here.There are 2 door in the southern wall.BAA CAA . There is a hatch CAA in the ceiling. You have the keys brown peach . What do you want to do? Talk with the dwarf - go to [725](#) Go to the field BAA - [550](#) Go to the field CAA - [715](#)

1199 You are standing in front of the door at DDA - You have the keys cream rust . None of your keys opens the north door. You can look around [84](#)

1200 You are standing next to the dwarf at ACA. You have the keys brown coral . Hello, my name is Yubrumir Merrygut . The dwarf says: "I would give you the keys black rust for your keys." If you accept it go to [162](#) . The dwarf says: "I would give you the keys brown white for your keys." If you accept it go to [523](#) . You can look around [587](#)

1201 You are standing next to the dwarf at DBA. You have the keys black coral . Hello, my name is Gromdec Barrelblade . The dwarf says: "I would give you the keys white orange for your keys." If you accept it go to [1025](#) . You can look around [57](#)

1202 You are standing in front of the door at ACA - You have the keys white blue . None of your keys opens the hatch in the ceiling. You can look around [810](#)

1203 You are standing in front of the door at CBA - You have the keys cream gray . None of your keys opens the north door. None of your keys opens the hatch in the ceiling. You can look around [190](#)

1204 You are standing in front of the door at DCA - You have the keys brown orange . None of your keys opens the south door. None of your keys opens the hatch in the ceiling. You can look around [281](#)

1205 You are standing in front of the door at DBB - You have the keys peach coral . None of your keys opens the south door. You can look around [1123](#)

1206 You are standing in a small room. Apart from you there is a dwarf at ABB here. There is a door DBB in the southern wall. There are 3 hatches in the floor. BBB CAB CBB . You have the keys peach gray . What do you want to do? Talk with the dwarf - go to [204](#) Go to the field BBB - [934](#) Go to the field CAB - [450](#) Go to the field CBB - [779](#) Go to the field DBB - [1079](#)

1207 You are standing in front of the door at CAA - You have the keys brown rust . You can open the door with the brown key and go south [1112](#) None of your keys opens the hatch in the ceiling. You can look around [988](#)

1208 You are standing next to the dwarf at DAA. You have the keys peach gray . Hello, my name is Saduc Ironbrow . The dwarf does not accept any exchange. You can look around [117](#)

1209 You are standing next to the dwarf at DBA. You have the keys orange blue . Hello, my name is Gromdec Barrelblade . The dwarf says: "I would give you the keys cream coral for your keys." If you accept it go to [712](#) . The dwarf says: "I would give you the keys violet olive for your keys." If you accept it go to [278](#) . The dwarf says: "I would give you the coral key for your keys." If you accept it go to [353](#) . You can look around [473](#)

1210 You are standing in front of the door at ADB - You have the keys cream gray . You can open the hatch with the cream key and descend to the lower level [202](#) You can look around [259](#)

1211 You are standing in front of the door at BBA - You have the keys cream white . You can open the door with the white key and go north [226](#) None of your keys opens the hatch in the ceiling. You can look around [120](#)

1212 You are standing in front of the door at DCA - You have the keys orange blue . None of your keys opens the south door. None of your keys opens the hatch in the ceiling. You can look around [473](#)

1213 You are standing next to the dwarf at DBA. You have the keys gray coral . Hello, my name is Gromdec Barrelblade . The dwarf does not accept any exchange. You can look around [343](#)

1214 You are standing in a small room.Apart from you there is a dwarf at ACB here.There is a door DCB in the northern wall.There are 3 hatches in the floor.ACB ADB DCB . You have the keys peach olive . What do you want to do? Talk with the dwarf - go to [1197](#) Go to the field ACB - [471](#) Go to the field ADB - [508](#) Go to the field DCB - [380](#)

1215 You are standing in front of the door at DDA - You have the keys black white . None of your keys opens the north door. You can look around [377](#)

1216 You are standing in a corridor leading from east to west.Apart from you there is a dwarf at DAA here.There are 2 door in the southern wall.BAA CAA . There is a hatch CAA in the ceiling. You have the keys white peach . What do you want to do? Talk with the dwarf - go to [164](#) Go to the field BAA - [614](#) Go to the field CAA - [326](#)

1217 You are standing in front of the door at DBB - You have the keys orange blue . None of your keys opens the south door. You can look around [232](#)

1218 You are standing in a small room.Apart from you there is a dwarf at ACA here.There is a door BBA in the northern wall.There is a door BCA in the eastern wall.There is a door BCA in the southern wall.There are 2 hatches in the ceiling.ACA BBA . You have the keys violet white . What do you want to do? Talk with the dwarf - go to [693](#) Go to the field ACA - [544](#) Go to the field BBA - [578](#) Go to the field BCA - [755](#)

1219 You are standing in front of the door at ADB - You have the keys brown olive . None of your keys opens the hatch in the floor. You can look around [431](#)

1220 You are standing in front of the door at CBB - You have the keys rust blue . None of your keys opens the hatch in the floor. You can look around [399](#)

1221 You are standing in front of the door at CAB - You have the keys violet olive . None of your keys opens the hatch in the floor. You can look around [197](#)

1222 You are standing in front of the door at ACA - You have the keys black olive . None of your keys opens the hatch in the ceiling. You can look around [598](#)

1223 You are standing in a small room.Apart from you there is a dwarf at ACA here.There is a door BBA in the northern wall.There is a door BCA in the eastern wall.There is a door

BCA in the southern wall. There are 2 hatches in the ceiling. ACA BBA . You have the keys rust orange . What do you want to do? Talk with the dwarf - go to [1176](#) Go to the field ACA - [742](#) Go to the field BBA - [849](#) Go to the field BCA - [1055](#)

1224 You are standing in front of the door at BDA - You have the keys cream rust . None of your keys opens the north door. You can look around [84](#)

1225 You are standing in front of the door at ACA - You have the keys rust coral . You can open the hatch with the rust key and ascend to the upper level [444](#) You can look around [801](#)

1226 You are standing next to the dwarf at ABB. You have the keys violet orange . Hello, my name is Rukhon Copperbrewer . The dwarf does not accept any exchange. You can look around [102](#)

1227 You are standing in front of the door at CCA - You have the keys olive coral . You can open the door with the coral key and go west [850](#) You can look around [1156](#)

1228 You are standing in front of the door at CAB - You have the keys coral orange . None of your keys opens the hatch in the floor. You can look around [478](#)

1229 You are standing in front of the door at BAA - You have the keys white coral . You can open the door with the white key and go south [594](#) You can look around [827](#)

1230 You are standing next to the dwarf at DAA. You have the keys black brown . Hello, my name is Saduc Ironbrow . The dwarf does not accept any exchange. You can look around [586](#)

1231 You are standing in front of the door at BAA - You have the keys brown orange . None of your keys opens the south door. You can look around [416](#)

1232 You are standing next to the dwarf at DBA. You have the keys violet black . Hello, my name is Gromdec Barrelblade . The dwarf says: "I would give you the keys gray olive for your keys." If you accept it go to [78](#) . You can look around [309](#)

1233 You are standing in a small room. Apart from you there is a dwarf at ACB here. There is a door DCB in the northern wall. There are 3 hatches in the floor. ACB ADB DCB . You have the keys olive coral . What do you want to do? Talk with the dwarf - go to [591](#) Go to the field ACB - [470](#) Go to the field ADB - [1099](#) Go to the field DCB - [640](#)

1234 You are standing in front of the door at DCA - You have the keys brown coral . None of your keys opens the south door. None of your keys opens the hatch in the ceiling. You can look around [386](#)

1235 You are standing next to the dwarf at ACB. You have the keys black gray . Hello, my name is Destrumri Beastbeard . The dwarf says: "I would give you the gray key for your keys." If you accept it go to [1068](#) . You can look around [764](#)

1236 You are standing in front of the door at BCA - You have the keys black rust . None of your keys opens the east door. You can open the door with the black key and go south [972](#)

You can look around [195](#)

1237 You are standing in a small room. Apart from you there is a dwarf at ACA here. There is a door BBA in the northern wall. There is a door BCA in the eastern wall. There is a door BCA in the southern wall. There are 2 hatches in the ceiling. ACA BBA . You have the blue key. What do you want to do? Talk with the dwarf - go to [132](#) Go to the field ACA - [298](#) Go to the field BBA - [1166](#) Go to the field BCA - [146](#)

1238 You are standing in front of the door at CBA - You have the keys coral blue . None of your keys opens the north door. None of your keys opens the hatch in the ceiling. You can look around [1051](#)

1239 You are standing in front of the door at BCA - You have the white key. None of your keys opens the east door. None of your keys opens the south door. You can look around [921](#)

1240 You are standing in front of the door at ADA - You have the keys black peach . None of your keys opens the hatch in the ceiling. You can look around [920](#)

1241 You are standing in a small room. Apart from you there is a dwarf at DBA here. There is a door CBA in the northern wall. There is a door DCA in the southern wall. There is a door CCA in the western wall. There are 2 hatches in the ceiling. CBA DCA . You have the brown key. What do you want to do? Talk with the dwarf - go to [597](#) Go to the field CBA - [1250](#) Go to the field CCA - [398](#) Go to the field DCA - [701](#)

1242 You are standing in front of the door at ADB - You have the keys black olive . None of your keys opens the hatch in the floor. You can look around [563](#)

1243 You are standing in front of the door at BBA - You have the keys black blue . None of your keys opens the north door. You can open the hatch with the blue key and ascend to the upper level [94](#) You can look around [788](#)

1244 You are standing in front of the door at BBB - You have the keys peach orange . None of your keys opens the hatch in the floor. You can look around [1016](#)

1245 You are standing next to the dwarf at ABB. You have the keys rust orange . Hello, my name is Rukhon Copperbrewer . The dwarf says: "I would give you the keys white olive for your keys." If you accept it go to [942](#) . You can look around [209](#)

1246 You are standing in front of the door at BBA - You have the keys gray coral . None of your keys opens the north door. None of your keys opens the hatch in the ceiling. You can look around [575](#)

1247 You are standing in front of the door at ADA - You have the keys cream brown . You can open the hatch with the cream key and ascend to the upper level [105](#) You can look around [744](#)

1248 You are standing in a small room. Apart from you there is a dwarf at ABB here. There is a door DBB in the southern wall. There are 3 hatches in the floor. BBB CAB CBB . You have the keys cream blue . What do you want to do? Talk with the dwarf - go to [1045](#) Go to the field BBB - [476](#) Go to the field CAB - [52](#) Go to the field CBB - [425](#) Go to the field DBB - [111](#)

1249 You are standing in front of the door at DDA - You have the keys violet rust . You can open the door with the violet key and go north [354](#) You can look around [673](#)

1250 You are standing in front of the door at CBA - You have the brown key. You can open the door with the brown key and go north [513](#) None of your keys opens the hatch in the ceiling. You can look around [1241](#)

1251 You are standing in a small room. Apart from you there is a dwarf at ACB here. There is a door DCB in the northern wall. There are 3 hatches in the floor. ACB ADB DCB . You have the keys rust blue . What do you want to do? Talk with the dwarf - go to [629](#) Go to the field ACB - [322](#) Go to the field ADB - [781](#) Go to the field DCB - [576](#)

1252 You are standing in a corridor leading from east to west. Apart from you there is a dwarf at CDA here. There are 2 door in the northern wall. BDA DDA . There is a hatch ADA in the ceiling. You have the keys cream violet . What do you want to do? Talk with the dwarf - go to [449](#) Go to the field ADA - [516](#) Go to the field BDA - [255](#) Go to the field DDA - [933](#)

1253 You are standing in front of the door at BCA - You have the keys gray rust . None of your keys opens the east door. None of your keys opens the south door. You can look around [147](#)

1254 You are standing in front of the door at ACA - You have the keys cream rust . You can open the hatch with the rust key and ascend to the upper level [374](#) You can look around [1130](#)

1255 You are standing in a corridor leading from east to west. Apart from you there is a dwarf at DAA here. There are 2 door in the southern wall. BAA CAA . There is a hatch CAA in the ceiling. You have the keys brown white . What do you want to do? Talk with the dwarf - go to [171](#) Go to the field BAA - [863](#) Go to the field CAA - [512](#)

1256 You are standing in a corridor leading from east to west. Apart from you there is a dwarf at DAA here. There are 2 door in the southern wall. BAA CAA . There is a hatch CAA in the ceiling. You have the keys peach orange . What do you want to do? Talk with the dwarf - go to [819](#) Go to the field BAA - [983](#) Go to the field CAA - [971](#)

1257 You are standing in a small room. Apart from you there is a dwarf at ABB here. There is a door DBB in the southern wall. There are 3 hatches in the floor. BBB CAB CBB . You have the blue key. What do you want to do? Talk with the dwarf - go to [420](#) Go to the field BBB - [1007](#) Go to the field CAB - [837](#) Go to the field CBB - [312](#) Go to the field DBB - [1168](#)

1258 You are standing next to the dwarf at ACB. You have the rust key. Hello, my name is Destrurnri Beastbeard . The dwarf does not accept any exchange. You can look around [534](#)

1259 You are standing in a corridor leading from east to west. Apart from you there is a dwarf at DAA here. There are 2 door in the southern wall. BAA CAA . There is a hatch CAA in the ceiling. You have the keys peach olive . What do you want to do? Talk with the dwarf - go to [514](#) Go to the field BAA - [809](#) Go to the field CAA - [852](#)