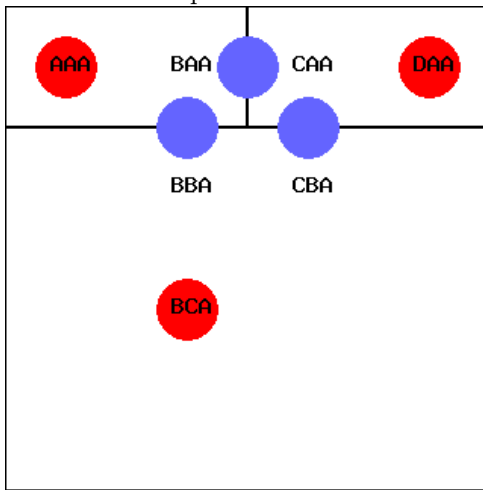


This is a map of the level 1.



1 You are standing next to the dwarf at AAA. You have the keys diamond rust . Hello, my name is Durimrean Caskminer . Congratulations! You have won! You can look around [11](#)

2 You are standing next to the dwarf at DAA. You have the diamond key. Hello, my name is Hesuid Nightchin . The dwarf does not accept any exchange. You can look around [35](#)

3 You are standing in front of the door at CAA - You have the diamond key. None of your keys opens the south door. You can open the door with the diamond key and go west [37](#) You can look around [35](#)

4 You are standing next to the dwarf at BCA. You have the keys diamond red . Hello, my name is Hefrod Flintmace . The dwarf says: "I would give you the keys rust red for your keys." If you accept it go to [26](#) . You can look around [20](#)

5 You are standing next to the dwarf at AAA. You have the diamond key. Hello, my name is Durimrean Caskminer . The dwarf says: "I would give you the rust key for your keys." If you accept it go to [50](#) . The dwarf says: "I would give you the keys rust red for your keys." If you accept it go to [33](#) . You can look around [41](#)

6 You are standing in a small room.Apart from you there is a dwarf at BCA here.There are 2 door in the northern wall.BBA CBA . You have the red key. What do you want to do? Talk with the dwarf - go to [46](#) Go to the field BBA - [36](#) Go to the field CBA - [23](#)

7 You are standing in a corridor leading from east to west.Apart from you there is a dwarf at DAA here.There is a door CAA in the southern wall.There is a door CAA in the western wall. You have the red key. What do you want to do? Talk with the dwarf - go to [13](#) Go to the field CAA - [38](#)

8 You are standing next to the dwarf at BCA. You have the keys diamond rust . Hello, my name is Hefrod Flintmace . The dwarf says: "I would give you the red key for your keys." If you accept it go to [46](#) . You can look around [44](#)

9 You are standing in front of the door at BAA - You have the rust key. None of your keys opens the east door. You can open the door with the rust key and go south [16](#) You can look around [43](#)

10 You are standing next to the dwarf at DAA. You have the keys diamond rust . Hello, my name is Hesuid Nightchin . The dwarf says: "I would give you the keys diamond red for your keys." If you accept it go to [19](#) . You can look around [48](#)

11 You are standing in a corridor leading from east to west.Apart from you there is a dwarf at AAA here.There is a door BAA in the eastern wall.There is a door BAA in the southern wall. You have the keys diamond rust . What do you want to do? Talk with the dwarf - go to [1](#) Go to the field BAA - [21](#)

12 You are standing in front of the door at CBA - You have the keys diamond rust . None of your keys opens the north door. You can look around [44](#)

13 You are standing next to the dwarf at DAA. You have the red key. Hello, my name is Hesuid Nightchin . The dwarf does not accept any exchange. You can look around [7](#)

14 You are standing in a corridor leading from east to west. Apart from you there is a dwarf at AAA here. There is a door BAA in the eastern wall. There is a door BAA in the southern wall. You have the keys diamond red . What do you want to do? Talk with the dwarf - go to [34](#) Go to the field BAA - [27](#)

15 You are standing in front of the door at CBA - You have the keys diamond red . You can open the door with the red key and go north [42](#) You can look around [20](#)

16 You are standing in front of the door at BBA - You have the rust key. You can open the door with the rust key and go north [9](#) You can look around [17](#)

17 You are standing in a small room. Apart from you there is a dwarf at BCA here. There are 2 door in the northern wall. BBA CBA . You have the rust key. What do you want to do? Talk with the dwarf - go to [31](#) Go to the field BBA - [16](#) Go to the field CBA - [28](#)

18 You are standing in front of the door at CAA - You have the keys diamond rust . None of your keys opens the south door. You can open the door with the diamond key and go west [21](#) You can look around [48](#)

19 You are standing next to the dwarf at DAA. You have the keys diamond red . Hello, my name is Hesuid Nightchin . The dwarf says: "I would give you the keys diamond rust for your keys." If you accept it go to [10](#) . You can look around [29](#)

20 You are standing in a small room. Apart from you there is a dwarf at BCA here. There are 2 door in the northern wall. BBA CBA . You have the keys diamond red . What do you want to do? Talk with the dwarf - go to [4](#) Go to the field BBA - [39](#) Go to the field CBA - [15](#)

21 You are standing in front of the door at BAA - You have the keys diamond rust . You can open the door with the diamond key and go east [18](#) You can open the door with the rust key and go south [25](#) You can look around [11](#)

22 You are standing in front of the door at CAA - You have the keys rust red . You can open the door with the red key and go south [49](#) None of your keys opens the west door. You can look around [32](#)

23 You are standing in front of the door at CBA - You have the red key. You can open the door with the red key and go north [38](#) You can look around [6](#)

24 You are standing in a small room. Apart from you there is a dwarf at BCA here. There are 2 door in the northern wall. BBA CBA . You have the keys rust red . What do you want to do? Talk with the dwarf - go to [26](#) Go to the field BBA - [30](#) Go to the field CBA - [49](#)

25 You are standing in front of the door at BBA - You have the keys diamond rust . You can open the door with the rust key and go north [21](#) You can look around [44](#)

26 You are standing next to the dwarf at BCA. You have the keys rust red . Hello, my name is Hefrod Flintmace . The dwarf says: "I would give you the keys diamond red for your keys." If you accept it go to [4](#) . You can look around [24](#)

27 You are standing in front of the door at BAA - You have the keys diamond red . You can open the door with the diamond key and go east [42](#) None of your keys opens the south door. You can look around [14](#)

28 You are standing in front of the door at CBA - You have the rust key. None of your keys opens the north door. You can look around [17](#)

29 You are standing in a corridor leading from east to west. Apart from you there is a dwarf at DAA here. There is a door CAA in the southern wall. There is a door CAA in the western wall. You have the keys diamond red . What do you want to do? Talk with the dwarf - go to [19](#) Go to the field CAA - [42](#)

30 You are standing in front of the door at BBA - You have the keys rust red . You can open the door with the rust key and go north [47](#) You can look around [24](#)

31 You are standing next to the dwarf at BCA. You have the rust key. Hello, my name is Hefrod Flintmace . The dwarf does not accept any exchange. You can look around [17](#)

32 You are standing in a corridor leading from east to west. Apart from you there is a dwarf at DAA here. There is a door CAA in the southern wall. There is a door CAA in the western wall. You have the keys rust red . What do you want to do? Talk with the dwarf - go to [45](#) Go to the field CAA - [22](#)

33 You are standing next to the dwarf at AAA. You have the keys rust red . Hello, my name is Durimrean Caskminer . The dwarf says: "I would give you the diamond key for your keys." If you accept it go to [5](#) . The dwarf says: "I would give you the rust key for your keys." If you accept it go to [50](#) . You can look around [40](#)

34 You are standing next to the dwarf at AAA. You have the keys diamond red . Hello, my name is Durimrean Caskminer . The dwarf does not accept any exchange. You can look around [14](#)

35 You are standing in a corridor leading from east to west. Apart from you there is a dwarf at DAA here. There is a door CAA in the southern wall. There is a door CAA in the western wall. You have the diamond key. What do you want to do? Talk with the dwarf - go to [2](#) Go to the field CAA - [3](#)

36 You are standing in front of the door at BBA - You have the red key. None of your keys opens the north door. You can look around [6](#)

37 You are standing in front of the door at BAA - You have the diamond key. You can open the door with the diamond key and go east [3](#) None of your keys opens the south door. You can look around [41](#)

38 You are standing in front of the door at CAA - You have the red key. You can open the door with the red key and go south [23](#) None of your keys opens the west door. You can look around [7](#)

39 You are standing in front of the door at BBA - You have the keys diamond red . None of your keys opens the north door. You can look around [20](#)

40 You are standing in a corridor leading from east to west. Apart from you there is a dwarf at AAA here. There is a door BAA in the eastern wall. There is a door BAA in the southern wall. You have the keys rust red . What do you want to do? Talk with the dwarf - go to [33](#) Go to the field BAA - [47](#)

41 You are standing in a corridor leading from east to west. Apart from you there is a dwarf at AAA here. There is a door BAA in the eastern wall. There is a door BAA in the southern wall. You have the diamond key. What do you want to do? Talk with the dwarf - go to [5](#) Go to the field BAA - [37](#)

42 You are standing in front of the door at CAA - You have the keys diamond red . You can open the door with the red key and go south [15](#) You can open the door with the diamond key and go west [27](#) You can look around [29](#)

43 You are standing in a corridor leading from east to west. Apart from you there is a dwarf at AAA here. There is a door BAA in the eastern wall. There is a door BAA in the southern wall. You have the rust key. What do you want to do? Talk with the dwarf - go to [50](#) Go to the field BAA - [9](#)

44 You are standing in a small room. Apart from you there is a dwarf at BCA here. There are 2 door in the northern wall. BBA CBA . You have the keys diamond rust . What do you want to do? Talk with the dwarf - go to [8](#) Go to the field BBA - [25](#) Go to the field CBA - [12](#)

45 You are standing next to the dwarf at DAA. You have the keys rust red . Hello, my name is Hesuid Nightchin . The dwarf does not accept any exchange. You can look around [32](#)

46 You are standing next to the dwarf at BCA. You have the red key. Hello, my name is Hefrod Flintmace . The dwarf says: "I would give you the keys diamond rust for your keys." If you accept it go to [8](#) . You can look around [6](#)

47 You are standing in front of the door at BAA - You have the keys rust red . None of your keys opens the east door. You can open the door with the rust key and go south [30](#) You can look around [40](#)

48 You are standing in a corridor leading from east to west. Apart from you there is a dwarf at DAA here. There is a door CAA in the southern wall. There is a door CAA in the western wall. You have the keys diamond rust . What do you want to do? Talk with the dwarf - go to [10](#) Go to the field CAA - [18](#)

49 You are standing in front of the door at CBA - You have the keys rust red . You can open the door with the red key and go north [22](#) You can look around [24](#)

50 You are standing next to the dwarf at AAA. You have the rust key. Hello, my name is Durimrean Caskminer . The dwarf says: "I would give you the diamond key for your keys." If you accept it go to [5](#) . The dwarf says: "I would give you the keys rust red for your keys." If you accept it go to [33](#) . You can look around [43](#)